

Free-Standing Instrumentation Shelf

The Thorlabs free standing shelving system provides storage space or further mounting surfaces for instruments, power supplies, and other accessories when a full enclosure is not necessary.

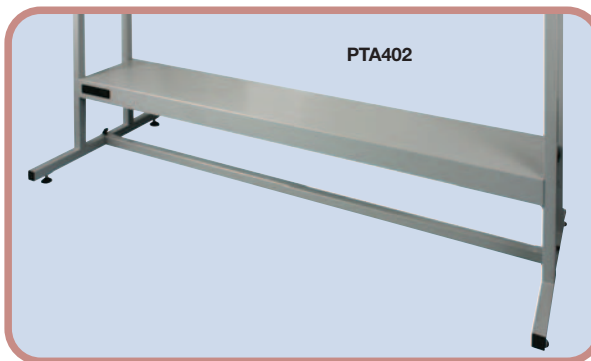
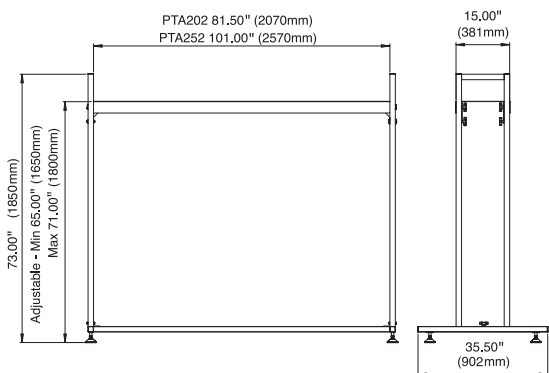
The system is available in three sizes; simply match the shelf length to the length or width of your optical table, up to a maximum of 3.07m (10.07').

The system is supplied complete with two end frames and a single shelf.

Each end frame can accommodate up to three shelves. There is room to mount two shelves above the table and a single shelf underneath the table, at variable heights.

Features

- Stable, Free-Standing Design Does Not Interfere With Vibration Isolation
- Parallel Foot Design Allows Placement Anywhere Over the Table
- Height is Adjustable From 65" to 71"
- Maximum Load Capacity per Shelf is 70kg (154lbs)



Polarization Measurement Tools



See Page 974

Free Standing Shelf

ITEM#	\$	£	€	RMB	DESCRIPTION
PTA202	\$ 1,043.80	£ 657.60	€ 970,70	¥ 9,968.30	Overhead Shelf 6.8' x 15.0" (2.07 x 0.38m)
PTA252	\$ 1,130.50	£ 712.20	€ 1,051,40	¥ 10,796.30	Overhead Shelf 8.43' x 15.0" (2.57 x 0.38m)
PTA302	\$ 1,096.00	£ 690.50	€ 1,019,30	¥ 10,466.80	Overhead Shelf 10.07' x 15.0" (3.07 x 0.38m)
PTA401	\$ 272.00	£ 171.40	€ 253,00	¥ 2,597.60	Additional Shelf (to fit PTA202) 6.8' x 15.0" (2.07 x 0.38m)
PTA402	\$ 384.00	£ 241.90	€ 357,10	¥ 3,667.20	Additional Shelf (to fit PTA252) 8.43' x 15.0" (2.57 x 0.38m)
PTA403	\$ 456.00	£ 287.30	€ 424,10	¥ 4,354.80	Additional Shelf (to fit PTA302) 10.07' x 15.0" (3.07 x 0.38m)

NEW

ScienceDesk™ and Accessories

See Pages 1-14

Our ScienceDesk™ frames are designed to accept three of our breadboard lines – the UltraLight™, Performance™ and PerformancePlus™ – allowing flexibility in creating a workstation with an array of vibration isolation possibilities.

- Flexible Workstation System With a Wide Range of Accessories
- Six Standard Size Frames with 765mm (30.6in.) Height
- Active, Passive, and Rigid Isolation Systems
- ESD Compliant Shelving and Accessories
- Ergonomic Design
- Heavy-Duty Castors

Expanding The Line

