

Tables & Breadboards

ScienceDesk™

Breadboards

Breadboard Supports

Optical Tables

Table Supports

Non-Magnetic

Rigid Non-Isolating Systems



PTL502

PTL503

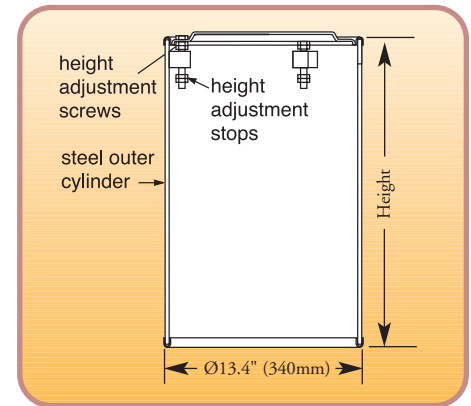
Many environments and applications do not warrant vibration isolation. In such cases, it is only necessary to have a non-isolating support structure. Thorlabs' rigid isolation systems are economical support structures that are strong enough to support an optical table under heavy load.

Thorlabs offers large-diameter, freestanding, non-isolating supports designed to support tabletops without cumbersome tie bars. Each non-isolating support has three adjustment screws to level or adjust the table height over a 21mm (0.85") range using an open end wrench.

These non-isolating supports have a 2500kg (5500lbs) load capacity for a set of four. They are available in two standard heights, 600mm and 700mm (24" and 28"), to allow any table surface to be supported at a standard 910mm (36") height. Special heights are available upon request.

Specifications

- **Maximum Load Capacity (Set of Four):** 2500kg (5500lbs)
- **Height:** 600 and 700mm (24" and 28")
- **Height Adjustment:** +15mm, -6mm (+0.6", -0.25")
- **Finish:** Black Paint
- **Manual Leveling Adjustment on Each Support to Compensate for Uneven Floors**



Rigid Non-Isolating Support

Rigid Non-Isolating Supports

ITEM#	\$	£	€	RMB	DESCRIPTION	HEIGHT
PTL502	\$ 1,224.00	£ 771.10	€ 1,138.30	¥ 11,689.20	Rigid Support Set of 4	24" (600mm)
PTL503	\$ 1,224.00	£ 771.10	€ 1,138.30	¥ 11,689.20	Rigid Support Set of 4	28" (700mm)

High Resolution CCD Cameras, Sensitive Detectors and Photomultiplier Tubes

Motor and Piezo Driven Stages and Controllers

Mounts and Accessories

Putting it all together

Microscopy Accessories

Page 623

Emission and Extinction Filters and Filter Wheels

High Power LEDs Designed to Mount into Popular Microscopes