

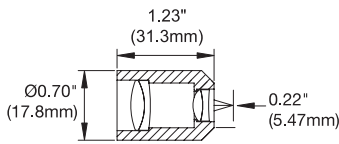
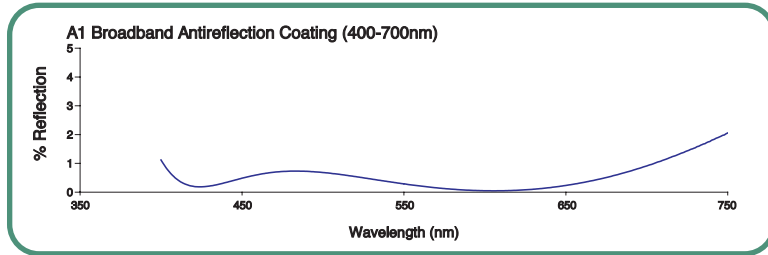
## Fast Achromatic Pairs



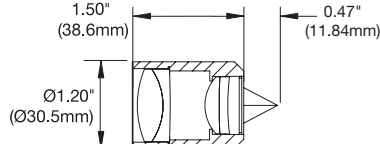
- Infinite Conjugate Ratio
- Higher NA Than Our Stock Doublets
- Lenses Corrected for Minimum Spot Size Over Wavelength Band
- Ideal for Laser Focusing
- High-Quality, Chrome-Plated Brass Housing

These fast achromatic doublet pairs have a broadband antireflection (BBAR) coating and are designed to achieve a higher NA/shorter focal length than conventional doublets. The pair of doublets used are chosen so that they provide achromatic correction and minimize spot size for an infinite conjugate ratio.

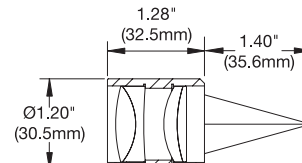
Each of these doublet pairs is housed in a custom chrome-plated brass mount with the effective focal length engraved on it for easy identification. Since these pairs are pre-mounted, they can be handled without transferring fingerprints or skin oils to the optic.



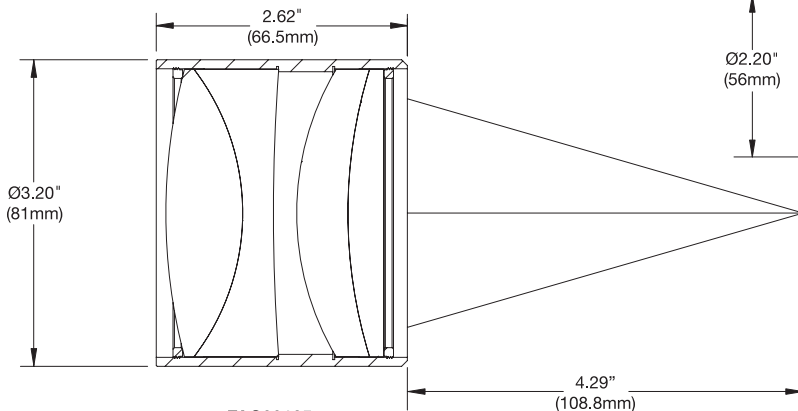
FAC0515



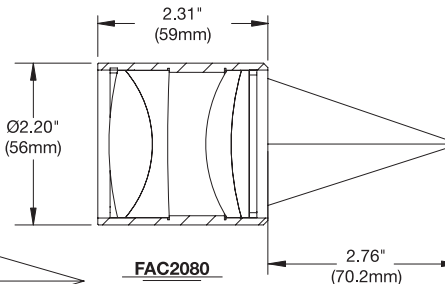
FAC1025



FAC1040



FAC30125



FAC2080

### Specifications

- Focal Length Tolerance:  $\pm 1\%$
- Design Wavelengths: 486.1, 587.6, and 656.3nm
- AR Coated: BBAR  $R_{avg} < 0.5\%$  From 400-700nm

ITEM#	f	NA	CA <sup>1)</sup>	DESCRIPTION	\$	£	€	RMB
FAC0515-A1	15.0mm	0.35	11.0mm	Fast Achromatic Doublet Pair	\$ 238.00	£ 149.90	€ 221,30	¥ 2,272.90
FAC1025-A1	29.0mm	0.35	23.2mm	Fast Achromatic Doublet Pair	\$ 335.00	£ 211.10	€ 311,60	¥ 3,199.30
FAC1040-A1	42.0mm	0.26	23.2mm	Fast Achromatic Doublet Pair	\$ 410.00	£ 258.30	€ 381,30	¥ 3,915.50
FAC2080-A1	83.9mm	0.26	45.0mm	Fast Achromatic Doublet Pair	\$ 560.00	£ 352.80	€ 520,80	¥ 5,348.00
FAC30125-A1	129.8mm	0.26	70.5mm	Fast Achromatic Doublet Pair	\$ 875.00	£ 551.30	€ 813,80	¥ 8,356.30

1) CA is the Clear Aperture

**TOOLS OF THE TRADE**

*Innovative products that help you get results.*

**Cage Mounted Beamsplitters, Pellicle Cubes, and Mirrors**

**See Pages 827-829**