

## CHAPTERS

Coherent Sources

Incoherent Sources

Quantum Electronics

Drivers/Mounts

Accessories

## SECTIONS

Gain Chips

Optical Amplifiers

Superluminescent Diodes

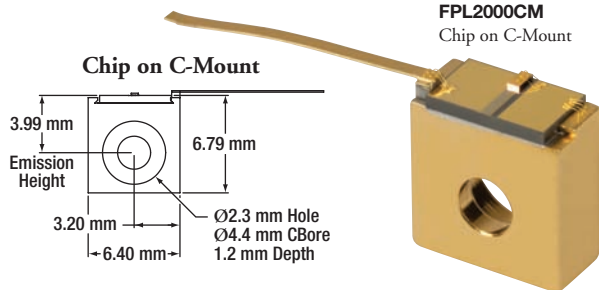
Fabry-Perot Lasers

Single Frequency Lasers

Optical Modulators

## Fabry-Perot Lasers, Chip on C-Mount

Thorlabs' 2000 nm Fabry-Perot Laser is also available as a Chip on C-Mount. The industry standard, Chip on C-Mount package is easy to mount and provides good thermal contact, making it an ideal choice for high-power applications.

NEW  
productCAUTION:  
ELECTROSTATIC  
SENSITIVE

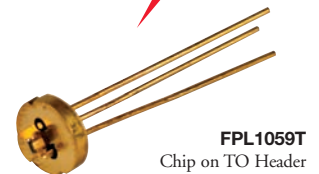
ITEM #	FPL2000CM			
CHARACTERISTIC	SYMBOL	MIN	TYPICAL	MAX
Center Wavelength	$\lambda_c$	1980 nm	2000 nm	2020 nm
Spectral Bandwidth (RMS)	$\Delta\lambda$	-	15 nm	-
Output Power Pulsed @ $I_{PULSE}$	$P_{PULSED}$	-	-	-
Output Power CW @ $I_{CW}$	$P_O$	25 mW	30 mW	-
Threshold Current	$I_{TH}$	-	55 mA	80 mA
Operating Current CW	$I_{CW}$	-	400 mA	500 mA
Forward Voltage	$V_F$	-	2.0 V	2.5 V
Transverse Far Field Angle	$\theta_T$	-	-	-
Lateral Far Field Angle	$\theta_L$	-	-	-

## Fabry-Perot Lasers, Chip on C-Mount

ITEM #	\$	£	€	RMB	DESCRIPTION
FPL2000CM	\$ 1,500.00	£ 1,080.00	€ 1,305.00	¥ 11,955.00	Fabry-Perot Laser, 2000 nm, Chip on C-Mount

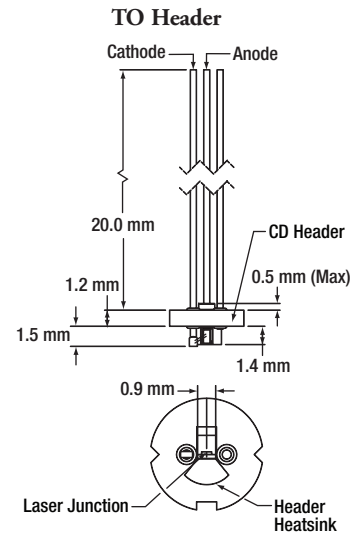
## Fabry-Perot Lasers, TO Header

Thorlabs' Fabry-Perot Lasers are available as chips on TO-56 headers. The TO-56 header option is a Ø5.6 mm header featuring an anode pin, cathode pin, and an unused pin.

CAUTION:  
ELECTROSTATIC  
SENSITIVE

ITEM #	FPL1053T			FPL1055T			
CHARACTERISTIC	SYMBOL	MIN	TYPICAL	MAX	MIN	TYPICAL	MAX
Center Wavelength	$\lambda_c$	1290 nm	1310 nm	1330 nm	1530 nm	1550 nm	1570 nm
Spectral Bandwidth (RMS)	$\Delta\lambda$	-	5 nm	8 nm	-	6 nm	10 nm
Output Power Pulsed @ $I_{PULSE}$	$P_{PULSE}$	300 mW	-	-	300 mW	-	-
Output Power CW @ $I_{CW}$	$P_O$	160 mW	-	-	140 mW	-	-
Threshold Current	$I_{TH}$	-	30 mA	50 mA	-	40 mA	50 mA
Operating Current Pulsed	$I_{PULSE}$	-	750 mA	1000 mA	-	750 mA	1000 mA
Operating Current CW	$I_{CW}$	-	400 mA	500 mA	-	400 mA	500 mA
Forward Voltage	$V_F$	-	2.0 V	3.0 V	-	2.0 V	3.0 V
Transverse Far Field Angle	$\theta_T$	-	27°	36°	-	28°	37°
Lateral Far Field Angle	$\theta_L$	-	15°	23°	-	15°	23°

ITEM #	FPL1054T			FPL1059T			
CHARACTERISTIC	SYMBOL	MIN	TYPICAL	MAX	MIN	TYPICAL	MAX
Center Wavelength	$\lambda_c$	1605 nm	1625 nm	1645 nm	1630 nm	1650 nm	1670 nm
Spectral Bandwidth (RMS)	$\Delta\lambda$	-	7 nm	12 nm	-	7 nm	12 nm
Output Power Pulsed @ $I_{PULSE}$	$P_{PULSED}$	250 mW	-	-	225 mW	-	-
Output Power CW @ $I_{CW}$	$P_O$	130 mW	-	-	125 mW	-	-
Threshold Current	$I_{TH}$	-	45 mA	55 mA	-	50 mA	60 mA
Operating Current Pulsed	$I_{PULSED}$	-	750 mA	1000 mA	-	750 mA	1000 mA
Operating Current CW	$I_{CW}$	-	400 mA	500 mA	-	400 mA	500 mA
Forward Voltage	$V_F$	-	2.0 V	3.0 V	-	2.0 V	3.0 V
Transverse Far Field Angle	$\theta_T$	-	28°	37°	-	28°	37°
Lateral Far Field Angle	$\theta_L$	-	15°	23°	-	15°	23°



## Fabry-Perot Lasers, Chip on TO Header

ITEM #	\$	£	€	RMB	DESCRIPTION
FPL1053T	\$ 350.00	£ 252.00	€ 304.50	¥ 2,789.50	Fabry-Perot Laser, 1310 nm, Chip on TO Header
FPL1055T	\$ 350.00	£ 252.00	€ 304.50	¥ 2,789.50	Fabry-Perot Laser, 1550 nm, Chip on TO Header
FPL1054T	\$ 385.00	£ 277.20	€ 334.95	¥ 3,068.45	Fabry-Perot Laser, 1625 nm, Chip on TO Header
FPL1059T	\$ 420.00	£ 302.40	€ 365.40	¥ 3,347.40	Fabry-Perot Laser, 1650 nm, Chip on TO Header