

For current pricing, please see our website.

CHAPTERS

Tables/  
Breadboards

Mechanics

Optomechanic  
Devices

Kits

Lab Supplies

SECTIONS

Breadboards

Breadboard  
Supports

Breadboard  
Accessories

ScienceDesk

ScienceDesk  
Accessories

Optical Tables

Table Supports

Optical Table  
Accessories

## ScienceDesk™ Frames: Rigid Supports

Our rigid ScienceDesk frames, which are available in four different sizes, meld function and form to produce portable industry-leading vibration-isolation platforms. Each ScienceDesk frame features a durable welded steel construction; the optical breadboard (work surface) is inset in the ScienceDesk frame so that it is protected from incidental contact.

When building a ScienceDesk workstation, start by choosing the frame, then the optical breadboard, and finally the desired accessories. Only two criteria need to be considered when choosing a ScienceDesk frame: the size of the work surface desired and the level of vibration isolation needed.

Rigid ScienceDesk frames do not isolate the optical breadboard work surface from external vibrations. However, they are commonly used in laboratory environments where the local environment does not contain any significant structural vibration or if the application is not overly sensitive to vibrations.



Breadboards  
Sold Separately  
(See Pages 33 - 34)

SDR90120

U.S. Patent: D455,300S  
GB Patent: GB2.365.991B

**NEW version** (SDR6090 Sized to Fit Through Standard Door Opening)

- Ergonomic Workplace Systems for Manufacturing and Scientific Research
- Modular Design Allows for Customization of your Work Space
- New 3' x 2' (900 mm x 600 mm) Model Sized to Fit Through Standard Door Openings
- Full Range of Adaptable Accessories Available (See Pages 35 - 45)
- Welded Steel Frame Design

### Specifications

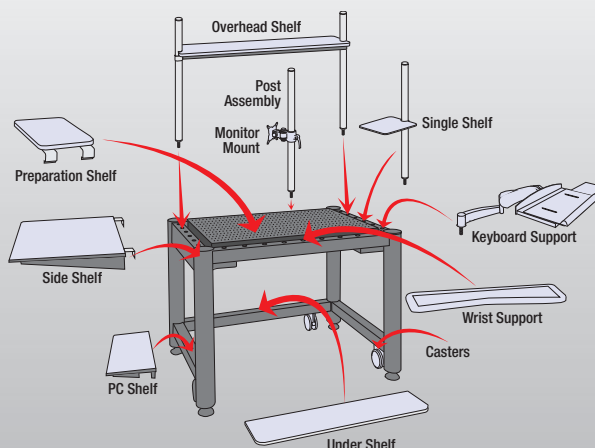
- **Load Capacity:** 1545 lbs (700 kg)
- **Frame Size:** 195 mm Deeper and Wider than the Work Surface Size
- **Height Adjustment Range:**  
Leveling Feet: ±0.59" (±15 mm)
- **Finish:** Dark Gray
- **Isolation Type:** Rigid (Non-Isolating)
- **Ergonomics:** BS EN 527 and BS EN 1335

### ScienceDesk Frames with Rigid Supports

ITEM #	\$	£	€	RMB	ACCEPTED BREADBOARD SIZE	FRAME WEIGHT*
<b>NEW</b> SDR6090**	\$ 1,225.00	£ 882.00	€ 1,065.75	¥ 9,763.25	3' x 2' (900 mm x 600 mm)	139 lbs (63 kg)
SDR7590	\$ 1,250.00	£ 900.00	€ 1,087.50	¥ 9,962.50	3' x 2.5' (900 mm x 750 mm)	144 lbs (67 kg)
SDR75120	\$ 1,275.00	£ 918.00	€ 1,109.25	¥ 10,161.75	4' x 2.5' (1200 mm x 750 mm)	152 lbs (69 kg)
SDR90120	\$ 1,300.00	£ 936.00	€ 1,131.00	¥ 10,361.00	4' x 3' (1200 mm x 900 mm)	161 lbs (73 kg)

\*The weights listed are only for the frame and do not include packaging. Please contact your local sales office for a quotation including shipping. \*\*Sized to fit through standard 33" (84 cm) door opening.

Do you need some...



## Accessories

Thorlabs offers a large range of accessories that are directly compatible with your ScienceDesk, making it possible to create a truly customized 3D work space environment. Shelving options are available that allow the user to place instrumentation above, below, or around the isolated work surface. Unlike other systems that have fixed wrap-around shelving solutions, leading to a claustrophobic, dim working environment, our modular accessory system lets you add and remove shelves easily so that they are only placed where needed and can conform to your changing requirements. This leads to a more open, comfortable working environment. In addition to shelving, we also offer a monitor mount, a keyboard holder, a wrist rest, casters, and extra mounting posts.

For more details, see page 35