

For current pricing, please see our website.

CHAPTERS

Manual Stages

Motorized Stages

Multi-Axis Platforms

Actuators

Controllers

SECTIONS

Linear Translation

Rotation

Goniometers

1/2" (13 mm) Travel Vertical Translation Stage

Specifications

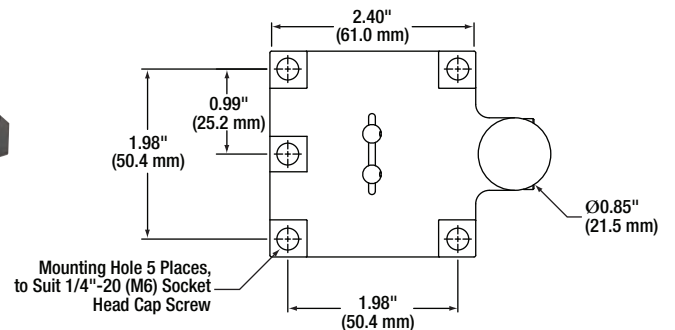
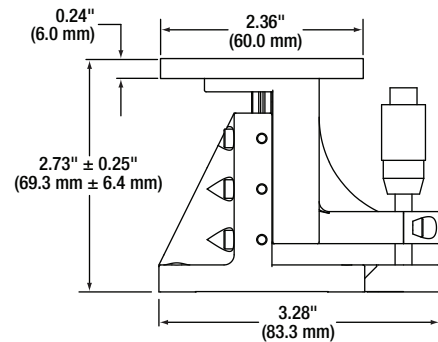
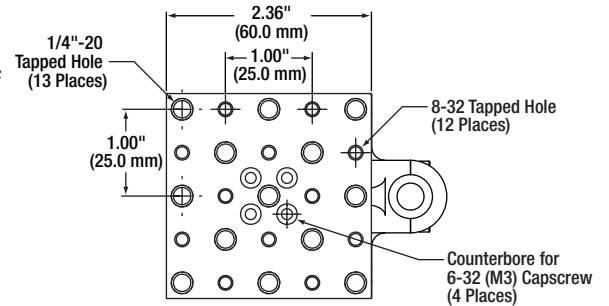
- **Maximum Travel:** 13 mm (0.5")
- **Working Height Range:** 61.0 – 74.0 mm (2.4" – 2.9")
- **Adjustment per Rev:** 0.5 mm (0.025")
- **Load Capacity:** 2 kg (4.4 lb)
- **Load Capacity (Inverted Mounting):** 1 kg (2.2 lb)
- **Backlash:** <1 μm
- **Repeatability:** 10 μm
- **Linearity:** 100%
- **Straightness:** ±10 μm
- **Parallelism of Top and Bottom Plates:** < 15 μm Over Entire Plate Area
- **Spring Preload at 0 mm Travel:** 30 N
- **Spring Preload at 13 mm Travel:** 45 N
- **Weight:** 0.41 kg (0.9 lb)
- **Construction:** Solid Aluminum
- **Finish:** Black Anodized



NEW
product

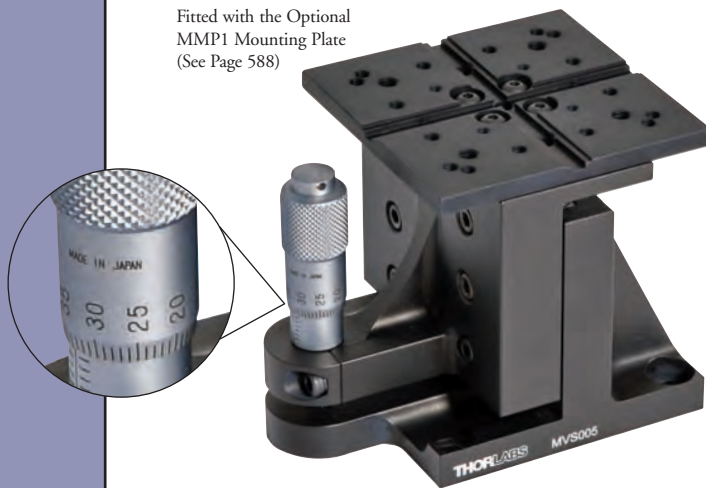
The MVS005 Vertical-Axis Positioning Stage has been developed to meet the stringent requirements associated with aligning optical components. It provides 13 mm (0.5") of height adjustment and a working height range of 61.0 to 74.0 mm (2.4" to 2.9").

The platform surface has an array of thirteen 1/4"-20 (M6) and twelve 8-32 (M4) tapped mounting holes. The top platform of the stage can be removed and replaced with an MMP1 Mounting Plate, which has a 3 mm groove (see below) that makes it compatible with our entire line of flexure accessory mounts for fiber, optics, and waveguides (see pages 572 – 588).



MVS005

Fitted with the Optional MMP1 Mounting Plate (See Page 588)



Mechanical
Drawings Available on the
WEB

Vertical Translation Stage

ITEM #	METRIC ITEM #	\$	£	€	RMB	DESCRIPTION
NEW MVS005	MVS005/M	\$ 595.00	£ 428.40	€ 517,65	¥ 4,742.15	Vertical Translation Stage