

For current pricing, please see our website.

CHAPTERS

Manual Stages

Motorized Stages

Multi-Axis Platforms

Actuators

Controllers

SECTIONS

Linear Translation

Rotation

Goniometers

Worm-Driven, Continuous Rotation Stage

- Driven by Fine Pitch Worm Gear Providing 360° Continuous Motion
- Graduation Marks in 2° Increments
- Vernier Scale Provides Resolution of 10 arcmin
- 15° per Revolution of Adjuster
- Tested to 25 lbs Vertical Load

The CR1 Rotation Stage includes a fine pitch worm gear that provides high precision and backlash-free rotation. Rotation is actuated via a stainless adjuster knob located on the side of the unit. The rotating platform contains an array of 8-32 (M4), 6-32, and 4-40 tapped holes for general mounting requirements. Two radially shaped 1/4" (M6) slots machined in the base provide flexibility when fastening to an optical table.

The easy-to-read radial scale is marked in 2° increments and labeled every 10°. A side-located vernier scale improves resolution to 10 arcmin. The added ability to stack small translation stages, such as our T12 Series on the rotation platform, and its 25 pound vertical load capacity, make this stage useful in any laboratory.

The CR1A Rotation Stage Adapter is designed to enhance mounting capabilities. It is equipped with a generous array of taps, allowing it to be used with a wide range of Thorlabs mounts and stages.

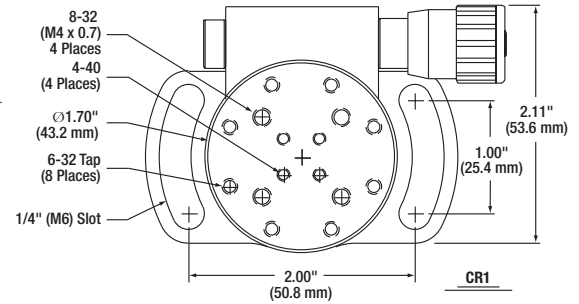


CR1



PM3

Compatible with PM3/PM4 Prism Mounting Hardware (Not Included)



CR1A

General-Purpose Adapter Plate with Four 6-32 (M4) Taps, Six 4-40 Taps, Eight 2-56 Taps, Four #6 (M4) Clearance Holes and One Center-Located 1/4"-20 (M6) Tap.

Worm-Driven Rotation Stages

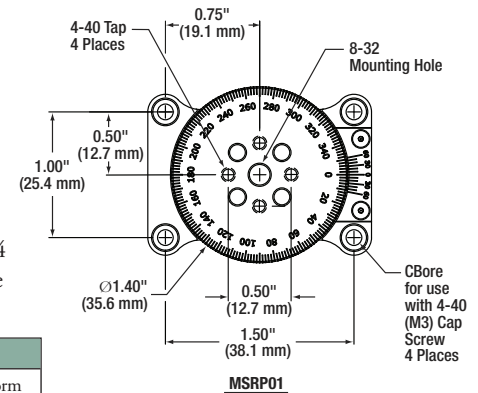
ITEM #	METRIC ITEM #	\$	£	€	RMB	DESCRIPTION
CR1	CR1/M	\$ 314.00	£ 226.08	€ 273.18	¥ 2,502.58	Continuous Rotation Stage
CR1A	CR1A/M	\$ 24.00	£ 17.28	€ 20.88	¥ 191.28	Rotation Stage Adapter Plate
PM3	PM3/M	\$ 18.00	£ 12.96	€ 15.66	¥ 143.46	Small Clamping Arm
PM4	PM4/M	\$ 22.00	£ 15.84	€ 19.14	¥ 175.34	Large Clamping Arm

Mini-Series Rotation Platform

- 20 arcmin Vernier Scale
- Side-Located Locking Screw
- 360° Continuous Rotation

Designed in the spirit of the RP01 Rotation Platform featured below, this manually rotated miniature rotation platform provides 360° of backlash-free continuous rotation and is capable of accepting vertical loads up to 50 lbs. Measuring only 1.78" (45.2 mm) x 1.4" (35.6 mm) x 0.5" (12.7 mm), the platform can be mounted directly on our Mini-Series breadboard featured on page 74 using four corner-located #4 (M3) counterbores. Alternatively, it can also be mounted vertically using the side-located 4-40 (M3) tap.

MSRP01



ITEM #	METRIC ITEM #	\$	£	€	RMB	DESCRIPTION
MSRP01	MSRP01/M	\$ 65.00	£ 46.80	€ 56.55	¥ 518.05	Mini-Series Rotation Platform

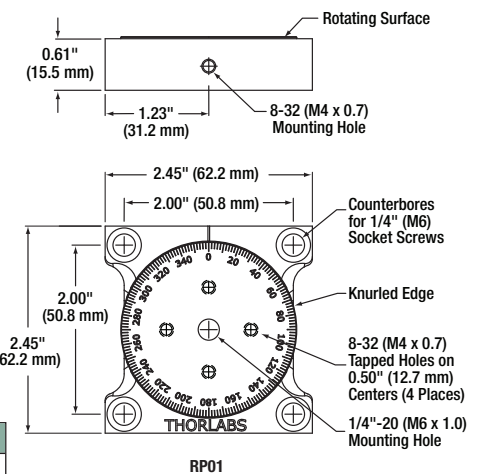
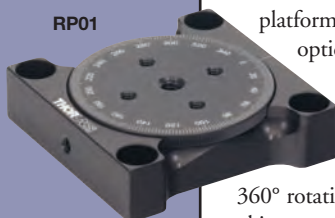
Rotation Platform

The RP01 Rotation Platform provides a solution for applications requiring smooth, backlash-free rotation. This platform can be fastened to an optical table or breadboard using the four corner-located 1/4" (M6) counterbored holes. It provides continuous 360° rotation, has a radial scale with markings every 2°, and is capable of accepting vertical loads up to

110 lbs (50 kg). Once the desired position is achieved, a balldriver-actuated setscrew locks the platform into place.

- Continuous 360° Rotation
- Horizontal Load Capacity: 110 lbs (50 kg)
- Vertical Load Capacity: 20 lbs (9.1 kg)
- Lockable Design
- 2° Increments
- Horizontal or Vertical Mounting
- Double Thrust Bearing Design

RP01



ITEM #	METRIC ITEM #	\$	£	€	RMB	DESCRIPTION
RP01	RP01/M	\$ 89.00	£ 64.08	€ 77.43	¥ 709.33	Rotation Platform