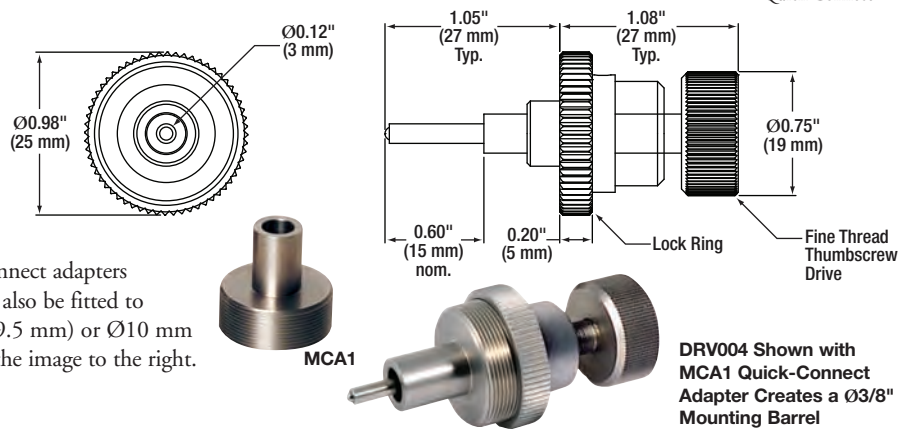


0.31" (8 mm) Travel Modular Thumbscrew Drive

The DRV004 Thumbscrew Drive is compatible with our NanoMax™ MAX300 and MAX600 series stages featured on pages 558 – 559 and 570 – 571, respectively. The large-diameter knurled knob provides excellent sensitivity with better than 1 μm resolution over an 8 mm adjustment range. Simply unscrew the existing drive and fit the DRV004.

- 0.31" (8 mm) of Total Travel
- 500 μm per Revolution
- 1 μm Resolution
- Compatible with Quick-Connect Adapters
- Ideal for Our Multi-Axis Stages (See Page 541 – 588)



When used with the modular, quick-connect adapters (MCA1 and MCA2), the DRV004 can also be fitted to components with a standard $\text{Ø}3/8"$ ($\text{Ø}9.5$ mm) or $\text{Ø}10$ mm ($\text{Ø}0.39"$) mounting clamp as shown in the image to the right.

Please refer to our website for complete models and drawings.

ITEM #	\$	£	€	RMB	DESCRIPTION
DRV004	\$ 96.50	£ 69.48	€ 83,96	¥ 769.11	Modular NanoMax™ Thumbscrew Drive, 8 mm Travel
MCA1	\$ 18.90	£ 13.61	€ 16,44	¥ 150.63	Modular Quick-Connect Adapter for $\text{Ø}3/8"$ Mounting
MCA2	\$ 18.90	£ 13.61	€ 16,44	¥ 150.63	Modular Quick-Connect Adapter for $\text{Ø}10$ mm Mounting

0.31" (8 mm) Travel, Differential Adjuster

The DRV3 is a modular, quick-connect adjuster is compatible with our MAX300 and MAX600 series stages. Simply unscrew the existing drive and fit the DRV3 as shown below.

Two large knobs are provided for coarse and fine adjustment. The lockable coarse adjustment provides 8 mm of travel at 500 μm per revolution, while the fine adjustment provides 300 μm travel at 50 μm per revolution. Using an MCA1 or MCA2 adapter, these adjusters can be adapted to fit any stage accepting $\text{Ø}3/8"$ or $\text{Ø}10$ mm mounting barrels, respectively.

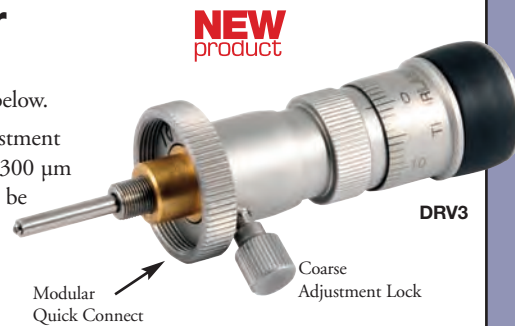


Removing the existing drive

Mechanical
Drawings Available on the
WEB



MCA1



DRV3

- 0.31" (8 mm) of Travel with 300 μm Fine Travel
- 1 μm Coarse, 50 nm Fine Resolution
- 500 μm/rev Coarse Adjustment
- 50 μm/rev Fine Adjustment (Nominal)
- Compatible with MAX300 and MAX600 Series Stages (Pages 558 – 559 and 570 – 571, Respectively)



DRV3 Shown with
MCA1 Creates $\text{Ø}3/8"$
Mounting Barrel

ITEM #	\$	£	€	RMB	DESCRIPTION
DRV3	\$ 308.70	£ 222.26	€ 268,57	¥ 2,460.34	Modular Differential Adjuster with 0.31" (8 mm) of Travel
MCA1	\$ 18.90	£ 13.61	€ 16,44	¥ 150.63	Modular Quick-Connect Adapter for $\text{Ø}3/8"$ Mounting
MCA2	\$ 18.90	£ 13.61	€ 16,44	¥ 150.63	Modular Quick-Connect Adapter for $\text{Ø}10$ mm Mounting