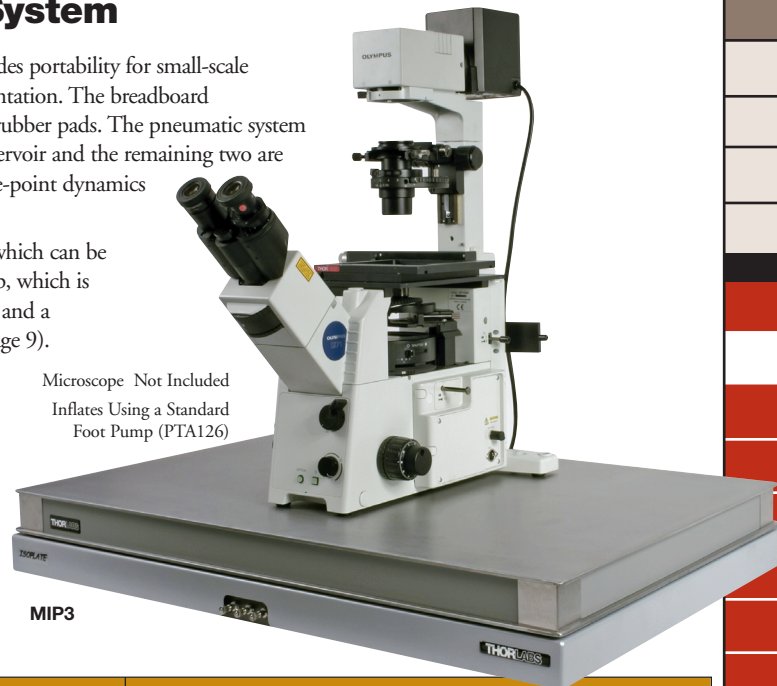


## Benchtop Passive Isolation System

The IsoPlate benchtop passive vibration-isolation system provides portability for small-scale experiments, demonstrations, and vibration-sensitive instrumentation. The breadboard (available separately, or included with MIP series) sits on four rubber pads. The pneumatic system has four inflated cushions, of which two have a coupled air reservoir and the remaining two are independently inflated. This arrangement provides stable, three-point dynamics to the system.

Air suspension is achieved via three valves on the front panel, which can be inflated by a standard bicycle pump or our PTA126 foot pump, which is featured on page 70. The MIP series include and IsoPlate base and a performance series breadboard without mounting holes (see page 9).

Microscope Not Included  
Inflates Using a Standard  
Foot Pump (PTA126)



### Specifications

- **Load Capacity:** 100 - 400 lbs (45 - 180 kg)
- **Inflation Method:** Foot Pump (PTA126) or Pressure Control Panel (PWA080)
- **Air Connection:** Schrader Valve

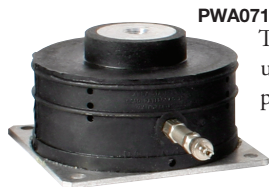
### IsoPlate Passive Isolation System (Base only)

ITEM#	\$	£	€	RMB	DESCRIPTION
PTT600600	\$ 950.00	£ 658.60	€ 843,50	¥ 8,021.90	IsoPlate, 23.6" x 23.6" x 3.5" (600 mm x 600 mm x 90 mm)
PTT900600	\$ 1,000.00	£ 693.30	€ 887,90	¥ 8,444.10	IsoPlate, 35.4" x 23.6" x 3.5" (900 mm x 600 mm x 90 mm)

### IsoPlate and Performance Breadboard Set

ITEM#	\$	£	€	RMB	DESCRIPTION
MIP2	\$ xxx.xx	£ xxx.xx	€ xxx,xx	¥ xxx.xx	600 x 600 mm (23.6" x 23.6") Base & Plate
MIP3	\$ xxx.xx	£ xxx.xx	€ xxx,xx	¥ xxx.xx	900 x 600 mm (35.4" x 23.6") Base & Plate

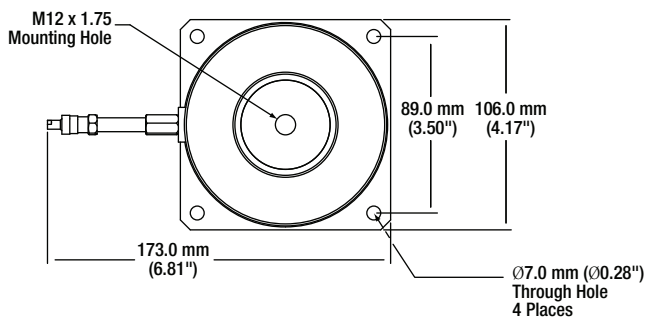
## Passive Isolation Mount



PWA071

This passive isolation mount is well suited for use with breadboards and tables. It will provide passive isolation between the work surface or benchtop and the breadboard/table. The air bladder provides isolation, which can be adjusted using a

standard bicycle pump or our PTA126 foot pump, which is featured on page 70. The load capacity is specified on a per mount basis; a set of four will have a capacity of 300 - 1584 lbs (136 - 720 kg).



Please refer to our website for complete models and drawings.

### Specifications

#### PWA071

- **Load Capacity:** 75 - 396 lbs (34 - 180 kg)
- **Air Pressure Required:** Max 60 psi (415 kPa)
- **Footprint:** 4.17" x 4.17" (106 mm x 106 mm)
- **Height:** 2.56" (65 mm)

### Vibration-Isolation Data\*

Resonant Frequency	Transmissibility (Isolation Efficiency)
Vertical	Vertical
3.5 Hz	24 dB at Resonance
	-16 dB (>80%) at 10 Hz

\*Note: Measured at the maximum rated load.

### Features

- Simple, Passive Isolation Mounts for Desktop/Floor Use
- Inflated by Standard Schrader Valve (Car Tire Valve)
- Rigid Wall Design for Superior Performance and Stability

### Passive Isolation Mounts

ITEM#	THREAD	\$	£	€	RMB	DESCRIPTION
PWA071	M10	\$ 124.90	£ 86.60	€ 110,90	¥ 1,054.70	Normal-Duty Passive Isolation Mount (Each)