

Adjustable FC Collimators

These adjustable FC collimators are made of stainless steel and are designed to connect onto the end of a FC/PC or FC/APC connector. These collimators contain a double-aspheric lens, which provide diffraction-limited performance. Each lens is coated with our standard -A, -B, or -C coating option.

All of our adjustable FC collimators feature our VeriFocus focusing system. The mounted aspheric lens is spring-loaded into the adjustment barrel, which is rotated to adjust the focal distance to the fiber. This feature allows small movements of the barrel to adjust for any focal length changes or re-collimation of the beam over the operating wavelength of the lens.

All of the CFC series adjustable FC collimators have an outside package diameter of 9.5 mm. The AD9.5F mounting adapter allows the collimator to be mounted in an SM1 threaded mount or lens tube.

Adjustable FC Collimator Mount

- External SM1 Threading
- Double Bored Ø9.5 mm Center Hole
- Nylon Tipped Set Screw



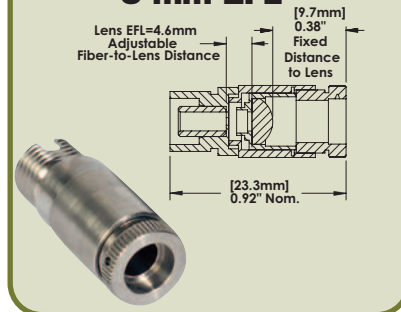
AD9.5F

ITEM #	\$	£	€	RMB
AD9.5F	\$ 26.00	£ 16.40	€ 24.20	¥ 248.30

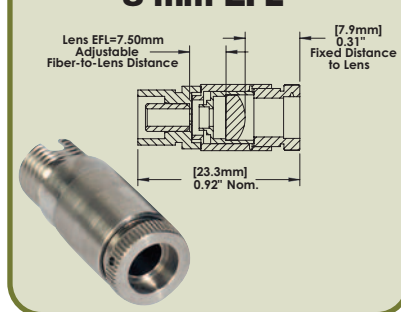
Aspheric Collimator 2 mm EFL



Aspheric Collimator 5 mm EFL

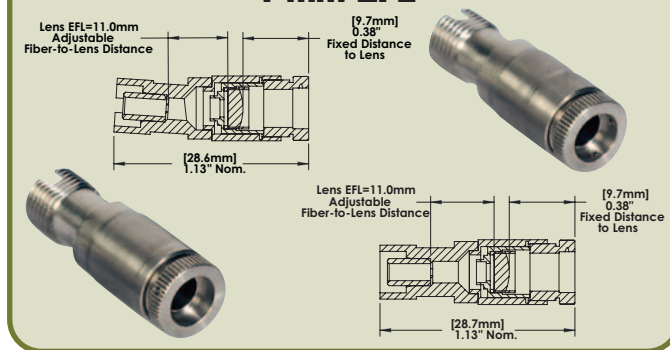


Aspheric Collimator 8 mm EFL



ITEM#	\$	£	€	RMB
CFC-2-A	\$ 225.00	£ 141.80	€ 209.30	¥ 2,148.80
CFC-2-B	\$ 225.00	£ 141.80	€ 209.30	¥ 2,148.80
CFC-2-C	\$ 225.00	£ 141.80	€ 209.30	¥ 2,148.80
CFC-5-A	\$ 225.00	£ 141.80	€ 209.30	¥ 2,148.80
CFC-5-B	\$ 225.00	£ 141.80	€ 209.30	¥ 2,148.80
CFC-5-C	\$ 225.00	£ 141.80	€ 209.30	¥ 2,148.80
CFC-8-A	\$ 225.00	£ 141.80	€ 209.30	¥ 2,148.80
CFC-8-B	\$ 225.00	£ 141.80	€ 209.30	¥ 2,148.80
CFC-8-C	\$ 225.00	£ 141.80	€ 209.30	¥ 2,148.80
CFC-11-A	\$ 240.00	£ 151.20	€ 223.20	¥ 2,292.00
CFC-11-B	\$ 240.00	£ 151.20	€ 223.20	¥ 2,292.00
CFC-11-C	\$ 240.00	£ 151.20	€ 223.20	¥ 2,292.00
CFC-11-A-APC	\$ 290.00	£ 182.70	€ 269.70	¥ 2,769.50
CFC-11-B-APC	\$ 290.00	£ 182.70	€ 269.70	¥ 2,769.50
CFC-11-C-APC	\$ 290.00	£ 182.70	€ 269.70	¥ 2,769.50

Aspheric Collimator 1 mm EFL



ITEM#	EFL (mm)	INPUT MFD ¹ (µm)	OUTPUT WAIST DIA. (mm)	MAX WAIST ³ DIST. (mm)	DIVERGENCE (mrad)	LENS CHARACTERISTICS			CONNECTOR
						CA ² (mm)	NA	AR λ. (nm) ²	
CFC-2-A	2.0	3.5	0.33	96	1.75	2.0	0.50	400-600	FC/PC or APC
CFC-2-B	2.0	4.3	0.38	89	2.15	2.0	0.50	600-1050	FC/PC or APC
CFC-2-C	2.0	10.4	0.38	38	5.20	2.0	0.50	1050-1600	FC/PC or APC
CFC-5-A	4.6	3.5	0.75	500	0.76	4.9	0.53	400-600	FC/PC or APC
CFC-5-B	4.6	4.3	0.86	467	0.93	4.9	0.53	600-1050	FC/PC or APC
CFC-5-C	4.6	10.4	0.87	200	2.26	4.9	0.53	1050-1600	FC/PC or APC
CFC-8-A	7.5	3.5	1.2	1300	0.47	4.4	0.29	400-600	FC/PC or APC
CFC-8-B	7.5	4.3	1.4	1200	0.57	4.4	0.29	600-1050	FC/PC or APC
CFC-8-C	7.5	10.4	1.4	500	1.39	4.4	0.29	1050-1600	FC/PC or APC
CFC-11-A	11.0	3.5	1.8	2800	0.32	4.4	0.20	400-600	FC/PC
CFC-11-B	11.0	4.3	2.1	2700	0.39	4.4	0.20	600-1050	FC/PC
CFC-11-C	11.0	10.4	2.1	1100	0.95	4.4	0.20	1050-1600	FC/PC
CFC-11-A-APC	11.0	3.5	1.8	2800	0.32	4.4	0.20	400-600	FC/APC
CFC-11-B-APC	11.0	4.3	2.1	2700	0.39	4.4	0.20	600-1050	FC/APC
CFC-11-C-APC	11.0	10.4	2.1	1100	0.95	4.4	0.20	1050-1600	FC/APC

1) Clear Aperture
2) Wavelength of the Antireflection Coating

3) Maximum distance that the beam waist can be from the lens while still remaining collimated
4) Mode Field Diameter