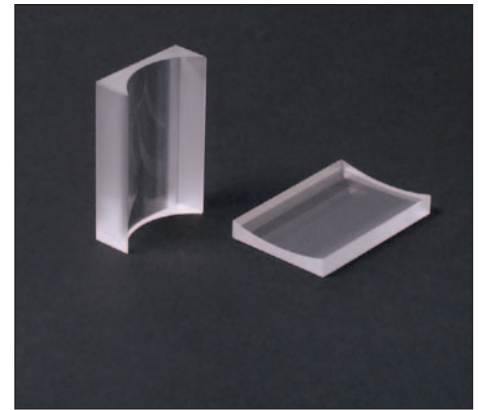


- Optical Systems
- Free Space Isolators
- E-O Devices
- Spherical Singlets
- Multi-Element Lenses
- Cylindrical Lenses**
- Aspheric Lenses
- Mirrors
- Diffusers & Lens Arrays
- Windows
- Prisms
- Gratings
- Polarization Optics
- Beamsplitters
- Filters & Attenuators
- Gas Cells

## BK7: Plano-Concave Cylindrical Lenses

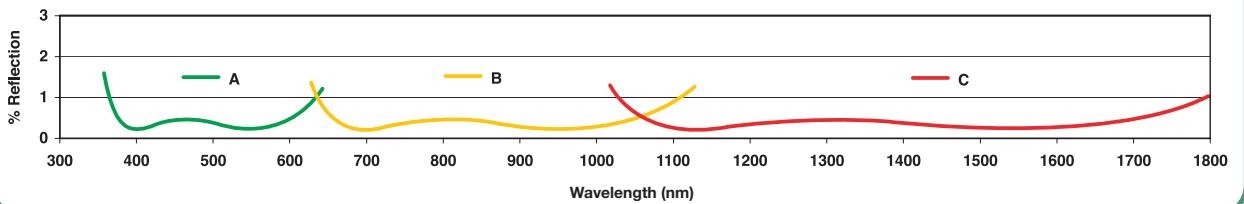
Negative cylindrical lenses act just as plano-concave spherical lenses, except on only one axis. These lenses are used in applications that require one dimensional shaping of a light source. A typical application is to use a single cylindrical lens to turn a collimated laser beam into a line generator. Pairs of cylindrical lenses may be used to anamorphically shape images.



### Specifications

- Material: BK7
- Wavelength Range: 350nm-2.0µm
- Design Wavelength: 587.6nm
- Length Tolerance: +0.00/-0.10mm
- Height Tolerance: +0.00/-0.10mm
- Focal Length Tolerance: ±1%
- Scratch/Dig: 60/40
- Centration:  
For f ≤ 50mm: ≤ 5 arcmin  
For f > 50mm: ≤ 3 arcmin
- Clear Aperture: >90%

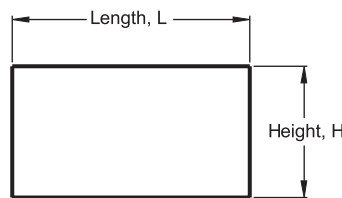
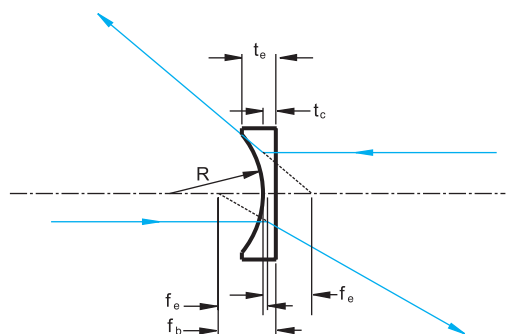
### Broadband AR Coatings



### Plano-Convex Cylindrical Lenses: Material BK7, f = -3.9 to -30mm

ITEM#	f (mm)	H (mm)	L (mm)	PRICE UNCOATED (For Coated Lens Add Suffix)				R (mm)	t <sub>c</sub> (mm)	t <sub>c</sub> (mm)
				\$	£	€	RMB			
LK1395L1	-3.9	4.0	6.0	\$ 41.90	£ 26.40	€ 39,00	¥ 400.10	-2.0	2.0	2.7
LK1395L2	-3.9	4.0	8.0	\$ 47.90	£ 30.20	€ 44,50	¥ 457.40	-2.0	2.0	2.7
LK1597L1	-4.0	4.0	6.0	\$ 41.90	£ 26.40	€ 39,00	¥ 400.10	-2.1	2.0	2.6
LK1597L2	-4.0	4.0	8.0	\$ 47.90	£ 30.20	€ 44,50	¥ 457.40	-2.1	2.0	2.6
LK1523L1	-5.8	4.0	6.0	\$ 41.90	£ 26.40	€ 39,00	¥ 400.10	-3.0	2.0	2.4
LK1523L2	-5.8	4.0	8.0	\$ 47.90	£ 30.20	€ 44,50	¥ 457.40	-3.0	2.0	2.4
LK1087L1	-6.4	6.0	8.0	\$ 47.20	£ 29.70	€ 43,90	¥ 450.80	-3.3	2.0	3.2
LK1087L2	-6.4	6.0	12.0	\$ 53.90	£ 34.00	€ 50,10	¥ 514.70	-3.3	2.0	3.2
LK1363L1	-7.7	7.0	9.0	\$ 49.90	£ 31.40	€ 46,40	¥ 476.50	-4.0	2.0	3.4
LK1363L2	-7.7	7.0	14.0	\$ 55.90	£ 35.20	€ 52,00	¥ 533.80	-4.0	2.0	3.4
LK1836L1	-9.7	10.0	12.0	\$ 57.90	£ 36.50	€ 53,80	¥ 552.90	-5.0	2.0	4.8
LK1836L2	-9.7	10.0	20.0	\$ 64.80	£ 40.80	€ 60,30	¥ 618.80	-5.0	2.0	4.8
LK1684L1	-12.7	10.0	12.0	\$ 46.90	£ 29.50	€ 43,60	¥ 447.90	-6.6	2.0	3.8
LK1684L2	-12.7	10.0	20.0	\$ 53.90	£ 34.00	€ 50,10	¥ 514.70	-6.6	2.0	3.8
LK1816L1	-13.7	13.0	15.0	\$ 54.90	£ 34.60	€ 51,10	¥ 524.30	-7.1	2.0	5.3
LK1816L2	-13.7	13.0	26.0	\$ 62.80	£ 39.60	€ 58,40	¥ 599.70	-7.1	2.0	5.3
LK1753L1	-15.0	10.0	12.0	\$ 47.90	£ 30.20	€ 44,50	¥ 457.40	-7.8	2.0	3.4
LK1753L2	-15.0	10.0	20.0	\$ 53.90	£ 34.00	€ 50,10	¥ 514.70	-7.8	2.0	3.4
LK1037L1	-19.0	19.0	21.0	\$ 69.80	£ 44.00	€ 64,90	¥ 666.60	-9.8	2.0	7.9
LK1037L2	-19.0	19.0	38.0	\$ 79.80	£ 50.30	€ 74,20	¥ 762.10	-9.8	2.0	7.9
LK1085L1	-20.0	15.0	17.0	\$ 59.90	£ 37.70	€ 55,70	¥ 572.00	-10.3	2.0	4.7
LK1085L2	-20.0	15.0	30.0	\$ 67.80	£ 42.70	€ 63,10	¥ 647.50	-10.3	2.0	4.7
LK1006L1	-22.2	12.5	15.0	\$ 53.90	£ 34.00	€ 50,10	¥ 514.70	-11.5	2.0	3.5
LK1006L2	-22.2	12.5	25.0	\$ 61.80	£ 38.90	€ 57,50	¥ 590.20	-11.5	2.0	3.5
LK1426L1	-25.0	10.0	12.0	\$ 47.90	£ 30.20	€ 44,50	¥ 457.40	-12.9	2.0	2.8
LK1426L2	-25.0	10.0	20.0	\$ 53.90	£ 34.00	€ 50,10	¥ 514.70	-12.9	2.0	2.8
LK1900L1	-25.4	16.0	18.0	\$ 61.80	£ 38.90	€ 57,50	¥ 590.20	-13.1	2.0	4.4
LK1900L2	-25.4	16.0	32.0	\$ 71.80	£ 45.20	€ 66,80	¥ 685.70	-13.1	2.0	4.4
LK1787L1	-25.4	25.4	28.0	\$ 86.80	£ 54.70	€ 80,70	¥ 828.90	-13.1	2.0	10.3
LK1787L2	-25.4	25.4	51.0	\$ 97.80	£ 61.60	€ 91,00	¥ 934.00	-13.1	2.0	10.3
LK1982L1	-30.0	20.0	22.0	\$ 71.80	£ 45.20	€ 66,80	¥ 685.70	-15.5	2.0	5.3
LK1982L2	-30.0	20.0	40.0	\$ 83.80	£ 52.80	€ 77,90	¥ 800.30	-15.5	2.0	5.3

# BK7: Plano-Concave Cylindrical Lenses



Plano-Concave Cylindrical Lenses

COATING	WAVELENGTH	\$	£	€	RMB
-A	350-650nm	\$ 9.20	£ 5.80	€ 8,60	¥ 87.90
-B	650-1050nm	\$ 9.20	£ 5.80	€ 8,60	¥ 87.90
-C	1050-1620nm	\$ 12.20	£ 7.70	€ 11,30	¥ 116.50

### Standard Broadband AR Coatings

To order the lens with a standard broadband AR Coating, add the coating code to the Item#, and then add the coating cost to the lens price.

## PLANO-CONCAVE CYLINDRICAL LENSES: Material BK7, f = 38.1 to -1000mm

ITEM#	f (mm)	H (mm)	L (mm)	PRICE UNCOATED (For Coated Lens Add Suffix)				R (mm)	t <sub>c</sub> (mm)	t <sub>e</sub> (mm)
				\$	£	€	RMB			
LK1325L1	-38.1	26.0	28.0	\$ 87.80	£ 55.30	€ 81,70	¥ 838.50	-19.7	2.0	6.5
LK1325L2	-38.1	26.0	52.0	\$ 97.80	£ 61.60	€ 91,00	¥ 934.00	-19.7	2.0	6.5
LK1283L1	-40.0	10.0	12.0	\$ 47.90	£ 30.20	€ 44,50	¥ 457.40	-20.7	2.0	2.5
LK1283L2	-40.0	10.0	20.0	\$ 53.90	£ 34.00	€ 50,10	¥ 514.70	-20.7	2.0	2.5
LK1662L1	-50.0	20.0	22.0	\$ 71.80	£ 45.20	€ 66,80	¥ 685.70	-25.8	2.0	3.8
LK1662L2	-50.0	20.0	40.0	\$ 82.80	£ 52.20	€ 77,00	¥ 790.70	-25.8	2.0	3.8
LK1336L1	-50.0	30.0	32.0	\$ 97.80	£ 61.60	€ 91,00	¥ 934.00	-25.8	2.0	6.5
LK1336L2	-50.0	30.0	60.0	\$ 111.70	£ 70.40	€ 103,90	¥ 1,066.70	-25.8	2.0	6.5
LK1792L1	-50.8	50.8	53.0	\$ 149.60	£ 94.20	€ 139,10	¥ 1,428.70	-26.4	2.0	19.9
LK1792L2	-50.8	50.8	90.0	\$ 169.60	£ 106.80	€ 157,70	¥ 1,619.70	-26.4	2.0	19.9
LK1995L1	-60.0	30.0	32.0	\$ 97.80	£ 61.60	€ 91,00	¥ 934.00	-31.0	2.0	5.6
LK1995L2	-60.0	30.0	60.0	\$ 111.70	£ 70.40	€ 103,90	¥ 1,066.70	-31.0	2.0	5.6
LK1015L1	-60.0	60.0	62.0	\$ 169.60	£ 106.80	€ 157,70	¥ 1,619.70	-31.0	2.0	23.5
LK1015L2	-60.0	60.0	95.0	\$ 197.50	£ 124.40	€ 183,70	¥ 1,886.10	-31.0	2.0	23.5
LK1216L1	-62.9	50.8	53.0	\$ 149.60	£ 94.20	€ 139,10	¥ 1,428.70	-32.5	2.0	13.6
LK1216L2	-62.9	50.8	95.0	\$ 169.60	£ 106.80	€ 157,70	¥ 1,619.70	-32.5	2.0	13.6
LK1913L1	-70.0	30.0	32.0	\$ 97.80	£ 61.60	€ 91,00	¥ 934.00	-36.2	2.0	5.0
LK1913L2	-70.0	30.0	60.0	\$ 111.70	£ 70.40	€ 103,90	¥ 1,066.70	-36.2	2.0	5.0
LK1431L1	-75.0	50.8	53.0	\$ 149.60	£ 94.20	€ 139,10	¥ 1,428.70	-38.8	2.0	11.1
LK1431L2	-75.0	50.8	90.0	\$ 169.60	£ 106.80	€ 157,70	¥ 1,619.70	-38.8	2.0	11.1
LK1689L1	-75.6	50.8	53.0	\$ 149.60	£ 94.20	€ 139,10	¥ 1,428.70	-39.1	3.0	12.0
LK1689L2	-75.6	50.8	90.0	\$ 169.60	£ 106.80	€ 157,70	¥ 1,619.70	-39.1	3.0	12.0
LK1526L1	-80.0	20.0	22.0	\$ 71.80	£ 45.20	€ 66,80	¥ 685.70	-41.3	3.0	4.1
LK1526L2	-80.0	20.0	40.0	\$ 82.80	£ 52.20	€ 77,00	¥ 790.70	-41.3	3.0	4.1
LK1743L1	-100.0	30.0	32.0	\$ 97.80	£ 61.60	€ 91,00	¥ 934.00	-51.7	3.0	5.1
LK1743L2	-100.0	30.0	60.0	\$ 111.70	£ 70.40	€ 103,90	¥ 1,066.70	-51.7	3.0	5.1
LK1936L1	-100.0	100.0	90.0	\$ 269.30	£ 169.70	€ 250,40	¥ 2,571.80	-51.7	3.0	39.9
LK1936L2	-100.0	100.0	145.0	\$ 309.20	£ 194.80	€ 287,60	¥ 2,952.90	-51.7	3.0	39.9
LK1819L1	-130.0	30.0	32.0	\$ 97.80	£ 61.60	€ 91,00	¥ 934.00	-67.2	3.0	4.6
LK1819L2	-130.0	30.0	60.0	\$ 111.70	£ 70.40	€ 103,90	¥ 1,066.70	-67.2	3.0	4.6
LK1419L1	-150.0	30.0	32.0	\$ 97.80	£ 61.60	€ 91,00	¥ 934.00	-77.5	3.0	4.4
LK1419L2	-150.0	30.0	60.0	\$ 111.70	£ 70.40	€ 103,90	¥ 1,066.70	-77.5	3.0	4.4
LK1069L1	-200.0	30.0	32.0	\$ 97.80	£ 61.60	€ 91,00	¥ 934.00	-103.4	3.0	4.0
LK1069L2	-200.0	30.0	60.0	\$ 111.70	£ 70.40	€ 103,90	¥ 1,066.70	-103.4	3.0	4.0
LK1115L1	-200.0	100.0	90.0	\$ 269.30	£ 169.70	€ 250,40	¥ 2,571.80	-103.4	3.0	15.6
LK1115L2	-200.0	100.0	145.0	\$ 359.10	£ 226.20	€ 334,00	¥ 3,429.40	-103.4	3.0	15.6
LK1030L1	-250.0	30.0	32.0	\$ 97.80	£ 61.60	€ 91,00	¥ 934.00	-129.2	3.0	3.8
LK1030L2	-250.0	30.0	60.0	\$ 111.70	£ 70.40	€ 103,90	¥ 1,066.70	-129.2	3.0	3.8
LK1487L1	-400.0	30.0	32.0	\$ 97.80	£ 61.60	€ 91,00	¥ 934.00	-206.7	3.0	3.5
LK1487L2	-400.0	30.0	60.0	\$ 111.70	£ 70.40	€ 103,90	¥ 1,066.70	-206.7	3.0	3.5
LK1002L1	-1000.0	30.0	32.0	\$ 97.80	£ 61.60	€ 91,00	¥ 934.00	-516.8	3.0	3.2
LK1002L2	-1000.0	30.0	60.0	\$ 111.70	£ 70.40	€ 103,90	¥ 1,066.70	-516.8	3.0	3.2

- Optical Systems
- Free Space Isolators
- E-O Devices
- Spherical Singlets
- Multi-Element Lenses
- Cylindrical Lenses**
- Aspheric Lenses
- Mirrors
- Diffusers & Lens Arrays
- Windows
- Prisms
- Gratings
- Polarization Optics
- Beamsplitters
- Filters & Attenuators
- Gas Cells