



Laser Diode Technologies



Laser/TEC Drivers
Benchtop

Laser/TEC Drivers
Platforms

Laser/TEC
OEM Drivers

Laser Mounts

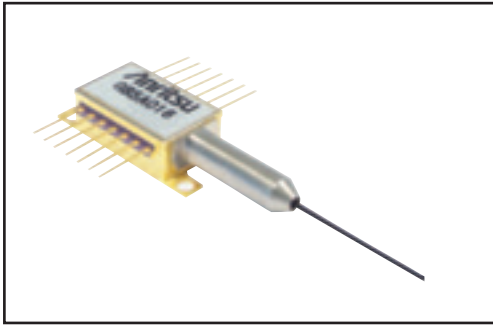
Laser Diodes

Pigtailed Lasers

Laser Modules

Accessories

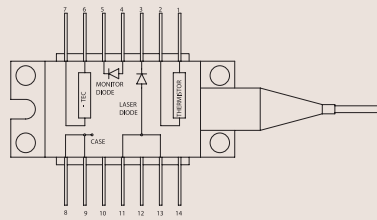
DFB Laser C-Band and L-Band P = 20mW



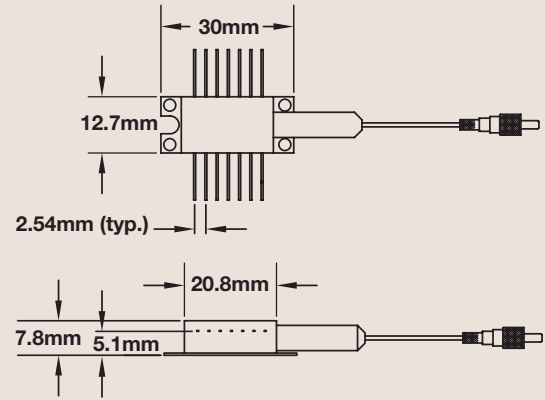
- Wavelength: ITU grid, 100GHz steps
- Single Longitudinal Mode
- Accurate Peak Wavelength ($\pm 0.5\text{nm}$)
- Built-in Optical Isolator (30dB)
- Built-in Monitor Photodiode
- Built-in Cooler and Thermistor
- PMF Pigtail Type
- FC/APC Connector, Slow Axis Aligned to Connector Key



Pin Connection (Top View)



COMPATIBLE WITH LM14S2
BUTTERFLY MOUNT USING
TYPE 2 ADAPTER CARD
SEE PAGE 432



Absolute Maximum Rating ($T_{LD} = 25^{\circ}\text{C}$)

ITEM	SYMBOL	RATING
Maximum Power	P_F	20 mW ¹
LD Forward Current	I_F	180 mA
LD Reverse Voltage	V_R	2 V
PD Forward Current	I_{PD}	10 mA
PD Reverse Voltage	V_{RD}	20 V
Operating Case Temperature	T_C	-20 to +70°C
Storage Temperature	T_{stg}	-40 to +85°C
Cooler Current	I_C	2.0 A

1) Maximum power at output of fiber

LASER DIODE / TEC CONTROLLERS

See Pages
384-429



Optical-Electrical Characteristics ($T_{LD} = 25^{\circ}\text{C}$)

ITEM	SYMBOL	MIN.	TYP.	MAX.	UNITS
Threshold Current	I_{th}	-	20	35	mA
Forward Voltage (Pf=20 mW)	V_F	-	-	2.0	V
Monitor Current (Pf=20 mW, $V_{RD}=5\text{V}$)	I_M	50	-	-	μA
Wavelength Accuracy (Pf=20 mW)	$\Delta\lambda_P$	-0.5	-	+0.5	nm
Spectral Line Width (Pf=20 mW)	Δf	-	3	15	MHz
Polarization Extinction Ratio (Pf=20 mW)	X_P	20	-	-	dB
Side-Mode Suppression Ratio (Pf=20 mW)	SMRS	33	40	-	dB
Cooler Voltage (Pf=20 mW; $T_C=70^{\circ}\text{C}$)	V_c	-	-	2.0	V
Cooler Current (Pf=20 mW; $T_C=70^{\circ}\text{C}$)	I_C	-	-	1.5	A
Thermistor Resistance ($T_{LD}=25^{\circ}\text{C}$, $B=3900\pm 100\text{K}$)	R_{th}	9.5	10	10.5	k Ω

See Pricing and Selection Guide on the Next Page



DFB Laser Diode Price & Selection Guide

ITEM#	\$	£	€	¥	WAVELENGTH	POWER
DFB1527.22-20	\$ 1,104.00	£ 613.33	€ 920,00	¥ 147,200	1527.22nm	20 mW
DFB1527.99-20	\$ 1,104.00	£ 613.33	€ 920,00	¥ 147,200	1527.99nm	20 mW
DFB1528.77-20	\$ 1,104.00	£ 613.33	€ 920,00	¥ 147,200	1528.77nm	20 mW
DFB1529.55-20	\$ 1,104.00	£ 613.33	€ 920,00	¥ 147,200	1529.55nm	20 mW
DFB1530.33-20	\$ 1,104.00	£ 613.33	€ 920,00	¥ 147,200	1530.33nm	20 mW
DFB1531.12-20	\$ 1,104.00	£ 613.33	€ 920,00	¥ 147,200	1531.12nm	20 mW
DFB1531.90-20	\$ 1,104.00	£ 613.33	€ 920,00	¥ 147,200	1531.90nm	20 mW
DFB1532.68-20	\$ 1,104.00	£ 613.33	€ 920,00	¥ 147,200	1532.68nm	20 mW
DFB1533.47-20	\$ 1,104.00	£ 613.33	€ 920,00	¥ 147,200	1533.47nm	20 mW
DFB1534.25-20	\$ 1,104.00	£ 613.33	€ 920,00	¥ 147,200	1534.25nm	20 mW
DFB1535.82-20	\$ 1,104.00	£ 613.33	€ 920,00	¥ 147,200	1535.82nm	20 mW
DFB1536.61-20	\$ 1,104.00	£ 613.33	€ 920,00	¥ 147,200	1536.61nm	20 mW
DFB1537.40-20	\$ 1,104.00	£ 613.33	€ 920,00	¥ 147,200	1537.40nm	20 mW
DFB1538.19-20	\$ 1,104.00	£ 613.33	€ 920,00	¥ 147,200	1538.19nm	20 mW
DFB1538.98-20	\$ 1,104.00	£ 613.33	€ 920,00	¥ 147,200	1538.98nm	20 mW
DFB1539.77-20	\$ 1,104.00	£ 613.33	€ 920,00	¥ 147,200	1539.77nm	20 mW
DFB1540.56-20	\$ 1,104.00	£ 613.33	€ 920,00	¥ 147,200	1540.56nm	20 mW
DFB1541.35-20	\$ 1,104.00	£ 613.33	€ 920,00	¥ 147,200	1541.35nm	20 mW
DFB1542.14-20	\$ 1,104.00	£ 613.33	€ 920,00	¥ 147,200	1542.14nm	20 mW
DFB1542.94-20	\$ 1,104.00	£ 613.33	€ 920,00	¥ 147,200	1542.94nm	20 mW
DFB1543.73-20	\$ 1,104.00	£ 613.33	€ 920,00	¥ 147,200	1543.73nm	20 mW
DFB1545.32-20	\$ 1,104.00	£ 613.33	€ 920,00	¥ 147,200	1545.32nm	20 mW
DFB1546.12-20	\$ 1,104.00	£ 613.33	€ 920,00	¥ 147,200	1546.12nm	20 mW
DFB1546.92-20	\$ 1,104.00	£ 613.33	€ 920,00	¥ 147,200	1546.92nm	20 mW
DFB1547.72-20	\$ 1,104.00	£ 613.33	€ 920,00	¥ 147,200	1547.72nm	20 mW
DFB1548.51-20	\$ 1,104.00	£ 613.33	€ 920,00	¥ 147,200	1548.51nm	20 mW
DFB1551.72-20	\$ 1,104.00	£ 613.33	€ 920,00	¥ 147,200	1551.72nm	20 mW
DFB1552.52-20	\$ 1,104.00	£ 613.33	€ 920,00	¥ 147,200	1552.52nm	20 mW
DFB1553.33-20	\$ 1,104.00	£ 613.33	€ 920,00	¥ 147,200	1553.33nm	20 mW
DFB1554.13-20	\$ 1,104.00	£ 613.33	€ 920,00	¥ 147,200	1554.13nm	20 mW
DFB1554.94-20	\$ 1,104.00	£ 613.33	€ 920,00	¥ 147,200	1554.94nm	20 mW
DFB1555.75-20	\$ 1,104.00	£ 613.33	€ 920,00	¥ 147,200	1555.75nm	20 mW
DFB1556.55-20	\$ 1,104.00	£ 613.33	€ 920,00	¥ 147,200	1556.55nm	20 mW
DFB1557.36-20	\$ 1,104.00	£ 613.33	€ 920,00	¥ 147,200	1557.36nm	20 mW
DFB1558.17-20	\$ 1,104.00	£ 613.33	€ 920,00	¥ 147,200	1558.17nm	20 mW
DFB1558.98-20	\$ 1,104.00	£ 613.33	€ 920,00	¥ 147,200	1558.98nm	20 mW
DFB1559.79-20	\$ 1,104.00	£ 613.33	€ 920,00	¥ 147,200	1559.79 nm	20 mW
DFB1561.42-20	\$ 1,104.00	£ 613.33	€ 920,00	¥ 147,200	1561.42nm	20 mW
DFB1562.23-20	\$ 1,104.00	£ 613.33	€ 920,00	¥ 147,200	1562.23nm	20 mW
DFB1563.05-20	\$ 1,104.00	£ 613.33	€ 920,00	¥ 147,200	1563.05nm	20 mW
DFB1563.86-20	\$ 1,104.00	£ 613.33	€ 920,00	¥ 147,200	1563.86nm	20 mW
DFB1564.68-20	\$ 1,104.00	£ 613.33	€ 920,00	¥ 147,200	1564.68nm	20 mW
DFB1565.49-20	\$ 1,104.00	£ 613.33	€ 920,00	¥ 147,200	1565.49nm	20 mW
DFB1566.31-20	\$ 1,104.00	£ 613.33	€ 920,00	¥ 147,200	1566.31nm	20 mW
DFB1567.13-20	\$ 1,104.00	£ 613.33	€ 920,00	¥ 147,200	1567.13nm	20 mW
DFB1567.95-20	\$ 1,104.00	£ 613.33	€ 920,00	¥ 147,200	1567.95nm	20 mW
DFB1568.77-20	\$ 1,104.00	£ 613.33	€ 920,00	¥ 147,200	1568.77nm	20 mW
DFB1604.02-20	\$ 1,104.00	£ 613.33	€ 920,00	¥ 147,200	1604.02nm	20 mW
DFB1604.88-20	\$ 1,104.00	£ 613.33	€ 920,00	¥ 147,200	1604.88nm	20 mW
DFB1605.74-20	\$ 1,104.00	£ 613.33	€ 920,00	¥ 147,200	1605.74nm	20 mW
DFB1606.60-20	\$ 1,104.00	£ 613.33	€ 920,00	¥ 147,200	1606.60nm	20 mW
DFB1607.46-20	\$ 1,104.00	£ 613.33	€ 920,00	¥ 147,200	1607.46nm	20 mW
DFB1608.32-20	\$ 1,104.00	£ 613.33	€ 920,00	¥ 147,200	1608.32nm	20 mW
DFB1609.19-20	\$ 1,104.00	£ 613.33	€ 920,00	¥ 147,200	1609.19nm	20 mW
DFB1610.05-20	\$ 1,104.00	£ 613.33	€ 920,00	¥ 147,200	1610.05 nm	20 mW
DFB1610.92-20	\$ 1,104.00	£ 613.33	€ 920,00	¥ 147,200	1610.92nm	20 mW
DFB1611.79-20	\$ 1,104.00	£ 613.33	€ 920,00	¥ 147,200	1611.79nm	20 mW

**Laser/ TEC Drivers
Benchtop**
**Laser/TEC Drivers
Platforms**
**Laser/TEC
OEM Drivers**
Laser Mounts
Laser Diodes
Pigtailed Lasers
Laser Modules
Accessories