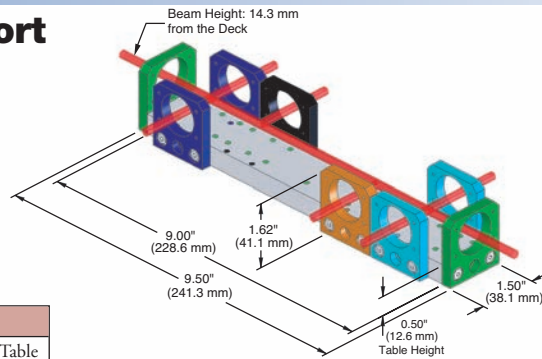
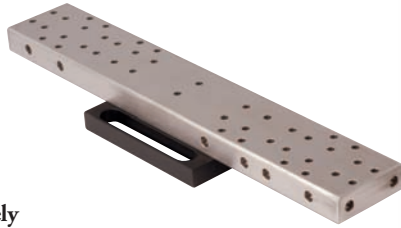


FiberTable, 38 mm x 229 mm, 8-Port

- Holds a Maximum of 8 Wall Plates
- 21 Component Mounting Positions
- 303 Nonmagnetic Stainless Steel

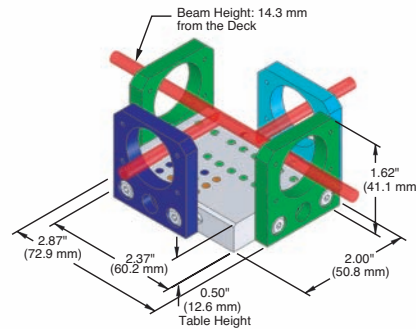


Wall Plates Sold Separately

ITEM #	\$	£	€	RMB	DESCRIPTION
FT-38X229	\$ 325.00	£ 234.00	€ 282,75	¥ 2,590.25	38 mm x 229 mm FiberTable

FiberTable, 51 mm x 60 mm, 4-Port

- Holds a Maximum of 4 Wall Plates
- 16 Component Mounting Positions
- 303 Non-Magnetic Stainless Steel
- Sidewalls can be Centered or Skewed for Dual Beamsplitter Systems

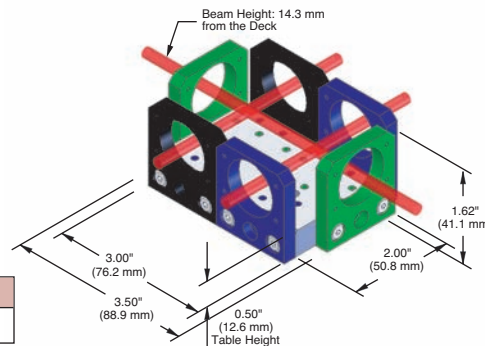
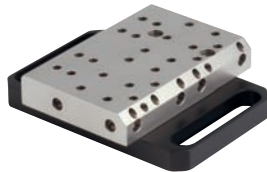


Wall Plates Sold Separately

ITEM #	\$	£	€	RMB	DESCRIPTION
FT-51X60	\$ 205.00	£ 147.60	€ 178,35	¥ 1,633.85	51 mm x 60 mm FiberTable

FiberTable, 51 mm x 76 mm, 6-Port

- Holds a Maximum of 6 Wall Plates
- 12 Component Mounting Positions
- 303 Non-Magnetic Stainless Steel

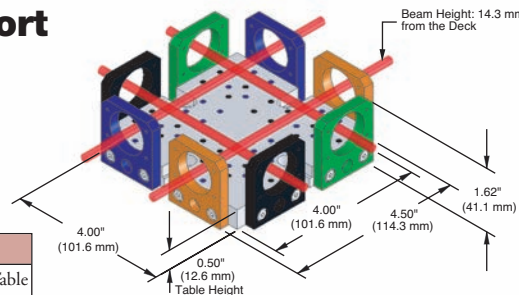
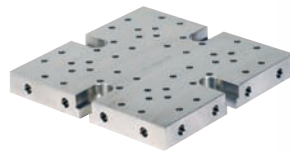


Wall Plates Sold Separately

ITEM #	\$	£	€	RMB	DESCRIPTION
FT-51X76	\$ 250.00	£ 180.00	€ 217,50	¥ 1,992.50	51 mm x 76 mm FiberTable

FiberTable, 102 mm x 102 mm, 8-Port

- Holds a Maximum of 8 Wall Plates
- 24 Component Mounting Positions
- 303 Non-Magnetic Stainless Steel
- 1/4" (M6) Mounting Slots

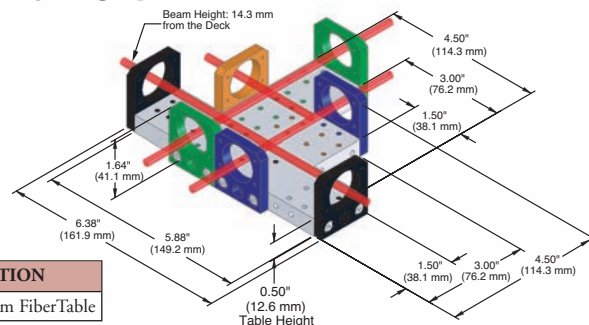
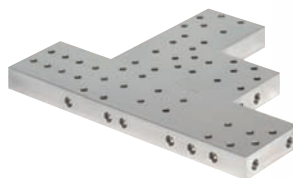


Wall Plates Sold Separately

ITEM #	\$	£	€	RMB	DESCRIPTION
FT-100X100	\$ 300.00	£ 216.00	€ 261,00	¥ 2,391.00	102 mm x 102 mm FiberTable

FiberTable, 114 mm x 149 mm, 10-Port

- Holds a Maximum of 8 Wall Plates
- 24 Component Mounting Positions
- 303 Non-Magnetic Stainless Steel
- For 1 x 6 Systems with Equal Path



Wall Plates Sold Separately

ITEM #	\$	£	€	RMB	DESCRIPTION
FT-114X149	\$ 350.00	£ 252.00	€ 304,50	¥ 2,789.50	114 mm x 149 mm FiberTable