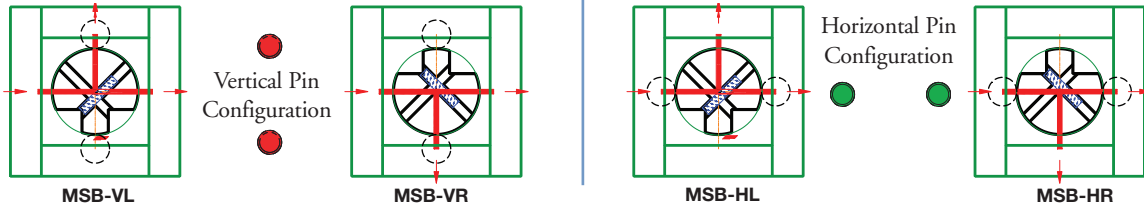


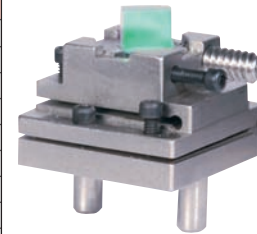
Adjustable Non-Polarizing Plate Beamsplitter Modules

The MSB series of beamsplitter modules uses a plate beamsplitter mounted on the ACB flexure base. The module provides a 4:96 or 50:50 split. The plate beamsplitter is useful for beam sampling applications or applications that require a relatively flat and neutral 50:50 split. Other wavelengths are available upon request. Please contact Tech Support for a quotation.



50:50 Split

ITEM #	\$	£	€	RMB	DESCRIPTION
MSB-VL-780-50/50	\$ 375.00	£ 270.00	€ 326,25	¥ 2,988.75	Beamsplitter, Vertical Left, 780 nm, 50:50
MSB-HL-780-50/50	\$ 375.00	£ 270.00	€ 326,25	¥ 2,988.75	Beamsplitter, Horizontal Left, 780 nm, 50:50
MSB-VR-780-50/50	\$ 375.00	£ 270.00	€ 326,25	¥ 2,988.75	Beamsplitter, Vertical Right, 780 nm, 50:50
MSB-HR-780-50/50	\$ 375.00	£ 270.00	€ 326,25	¥ 2,988.75	Beamsplitter, Horizontal Right, 780 nm, 50:50
MSB-VL-1064-50/50	\$ 375.00	£ 270.00	€ 326,25	¥ 2,988.75	Beamsplitter, Vertical Left, 1064 nm, 50:50
MSB-HL-1064-50/50	\$ 375.00	£ 270.00	€ 326,25	¥ 2,988.75	Beamsplitter, Horizontal Left, 1064 nm, 50:50
MSB-VR-1064-50/50	\$ 375.00	£ 270.00	€ 326,25	¥ 2,988.75	Beamsplitter, Vertical Right, 1064 nm, 50:50
MSB-HR-1064-50/50	\$ 375.00	£ 270.00	€ 326,25	¥ 2,988.75	Beamsplitter, Horizontal Right, 1064 nm, 50:50
MSB-VL-1550-50/50	\$ 375.00	£ 270.00	€ 326,25	¥ 2,988.75	Beamsplitter, Vertical Left, 1550 nm, 50:50
MSB-HL-1550-50/50	\$ 375.00	£ 270.00	€ 326,25	¥ 2,988.75	Beamsplitter, Horizontal Left, 1550 nm, 50:50
MSB-VR-1550-50/50	\$ 375.00	£ 270.00	€ 326,25	¥ 2,988.75	Beamsplitter, Vertical Right, 1550 nm, 50:50
MSB-HR-1550-50/50	\$ 375.00	£ 270.00	€ 326,25	¥ 2,988.75	Beamsplitter, Horizontal Right, 1550 nm, 50:50



MSB Plate Beamsplitter

4:96 Split

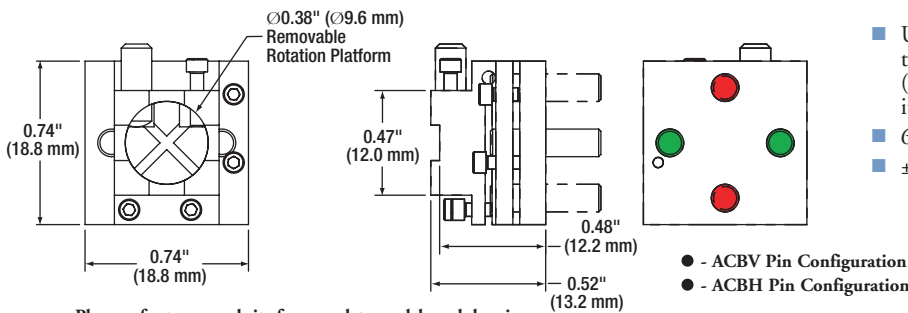
ITEM #	\$	£	€	RMB	DESCRIPTION
MSB-VL-780-4/96	\$ 375.00	£ 270.00	€ 326,25	¥ 2,988.75	Beamsplitter, Vertical Left, 780 nm, 4:96
MSB-HL-780-4/96	\$ 375.00	£ 270.00	€ 326,25	¥ 2,988.75	Beamsplitter, Horizontal Left, 780 nm, 4:96
MSB-VR-780-4/96	\$ 375.00	£ 270.00	€ 326,25	¥ 2,988.75	Beamsplitter, Vertical Right, 780 nm, 4:96
MSB-HR-780-4/96	\$ 375.00	£ 270.00	€ 326,25	¥ 2,988.75	Beamsplitter, Horizontal Right, 780 nm, 4:96
MSB-VL-1064-4/96	\$ 375.00	£ 270.00	€ 326,25	¥ 2,988.75	Beamsplitter, Vertical Left, 1064 nm, 4:96
MSB-HL-1064-4/96	\$ 375.00	£ 270.00	€ 326,25	¥ 2,988.75	Beamsplitter, Horizontal Left, 1064 nm, 4:96
MSB-VR-1064-4/96	\$ 375.00	£ 270.00	€ 326,25	¥ 2,988.75	Beamsplitter, Vertical Right, 1064 nm, 4:96
MSB-HR-1064-4/96	\$ 375.00	£ 270.00	€ 326,25	¥ 2,988.75	Beamsplitter, Horizontal Right, 1064 nm, 4:96
MSB-VL-1550-4/96	\$ 375.00	£ 270.00	€ 326,25	¥ 2,988.75	Beamsplitter, Vertical Left, 1550 nm, 4:96
MSB-HL-1550-4/96	\$ 375.00	£ 270.00	€ 326,25	¥ 2,988.75	Beamsplitter, Horizontal Left, 1550 nm, 4:96
MSB-VR-1550-4/96	\$ 375.00	£ 270.00	€ 326,25	¥ 2,988.75	Beamsplitter, Vertical Right, 1550 nm, 4:96
MSB-HR-1550-4/96	\$ 375.00	£ 270.00	€ 326,25	¥ 2,988.75	Beamsplitter, Horizontal Right, 1550 nm, 4:96

Specifications

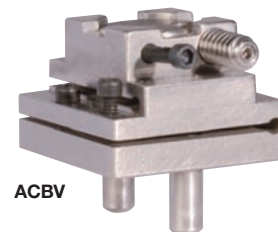
- Clear Aperture: Ø1.5 mm
- Wavefront Distortion: $\lambda/4$
- Plate Thickness: 1.5 mm
- Beam Displacement: ~ 0.5 mm
- Split Ratios for Unpolarized Signals: 50:50 and 4:96

Flexure Bases

These flexure bases are designed to mount customer-supplied optics on a FiberBench or FiberTable. The base allows for tip, tilt, and rotational adjustment for precise beam alignment and steering control. It is available with either a vertical or horizontal pin orientation so that the adjustment screws do not interfere with the beam path.



- Use with Beamsplitter Plates up to 1 mm Thick and 6 mm Cubes (Larger Cubes Can be Held, but it May be More Difficult to Align)
- 6° Tip/Tilt Adjustment
- $\pm 5^\circ$ Rotation Alignment



ACBV

ITEM #	\$	£	€	RMB	DESCRIPTION
ACBV	\$ 295.80	£ 212.98	€ 257,35	¥ 2,357.53	FiberBench Flexure Base, Vertical Pins
ACBH	\$ 295.80	£ 212.98	€ 257,35	¥ 2,357.53	FiberBench Flexure Base, Horizontal Pins