

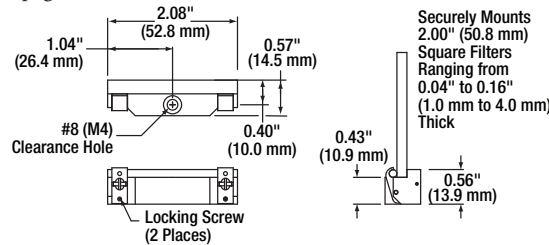
Lockable, Quick-Release, Square Filter Holder

The SFH2 Lockable, Quick-Release Filter Holder is an ideal solution for filter applications requiring a screw-activated lock. Two locking arms integrate rubber cushions that protect filters from damage. A screw-activated locking feature provides the long-term stability required for sensitive optical applications. In addition, the design maximizes the clear aperture and eliminates the bulky vertical stanchions associated with typical square filter mounts. A centrally located #8 (M4) counterbore allows for securing to both imperial and metric TR Series Posts (see page 93).

- Screw-Actuated Locking Mechanism
- Cushioned Locking Arms Securely Hold Filters without Causing Damage
- Rear Support Provides Stability and Maximizes the Clear Aperture



Filter Holder Shown with Filter Sold Separately



Post and Post Holder Sold Separately

ITEM #	\$	£	€	RMB	DESCRIPTION
SFH2	\$ 62.00	£ 44.64	€ 53,94	¥ 494.14	Quick-Release Square Filter Holder

Fixed Filter Holder

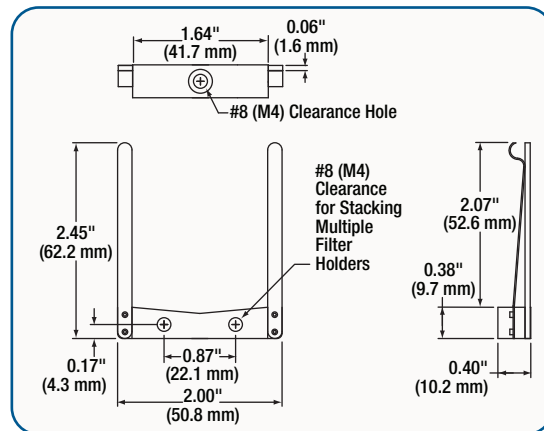
- Designed for 2.0" (50.8 mm) Square Filters
- Stackable Design to Accommodate Multiple Filters
- Nylon-Coated Spring Clips Securely Hold Filters without Damaging Them
- Rear Support Arms Provide Stability and Maximize the Clear Aperture

The SFH3 Square Filter Mount is designed to hold 2.0" (50.8 mm) square filters. Soft, nylon-coated spring clips protect filters from damage and provide a secure force. The rear support arms provide stability to the filter while maximizing the clear aperture. A centrally located #8 (M4) counterbore allows for mounting to Ø1/2" Posts (see page 93).

Post Assembly, Post Holder, and Filter Sold Separately



SFH3



Please refer to our website for complete models and drawings.

ITEM #	\$	£	€	RMB	DESCRIPTION
SFH3	\$ 58.00	£ 41.76	€ 50,46	¥ 462.26	Fixed Filter Holder

Dichroic Filter Holder

- Holds Dichroic Filters with Widths from 26.0 to 43.0 mm (1.02" to 1.69") and Thicknesses up to 3.0 mm (0.12")
- Two Spring-Loaded Clamping Mechanisms Secure Optic's Position
- Mounts Directly to 30 mm Cage Cube Assemblies (See Page 182)

The FFM1 Cage-Compatible Dichroic Filter Holder is specifically designed to hold the rectangular dichroic filters frequently used in fluorescence microscopy applications. The holder can be secured to Thorlabs' B3C Rotatable Cage Cube Platform or our B4C Rotatable Kinematic Cage Cube Platform (see page 182).

When used with a cage cube, the mount enables the optic to be aligned at a 45° angle with respect to the incident light and provides a Ø1" (Ø25.4 mm) clear aperture, which is the maximum

possible filter area for this configuration. Rectangular filters up to 3.0 mm thick are held using two spring-loaded clamps.

Note: When used with the C6W 30 mm Cage Cube, the maximum filter height is limited to 25.0 mm (0.98"). When used with the C4W cube, the maximum filter height is limited to 32.0 mm (1.26").



FFM1



FFM1

All Components Sold Separately

ITEM #	\$	£	€	RMB	DESCRIPTION
FFM1	\$ 56.10	£ 40.39	€ 48,81	¥ 447.12	Dichroic Filter Holder