

**Cage
Products
Available
in 16, 30,
& 60 mm
Versions**

16 mm Kinematic Cage Mounts

- 16 mm Cage System Compatible
- Designed for Ø1/2" (Ø12.7 mm) Optics
- ±2.5° Pitch/Yaw
- KC05-T: SM05 (Ø0.535"-40) Threaded Mount for Thin Optics

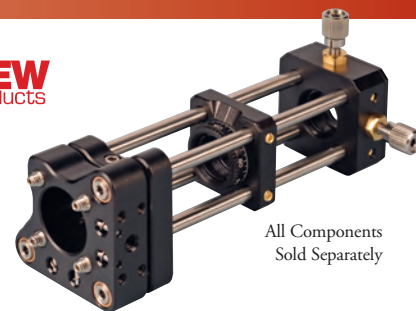
KC05



KC05-T
Threaded



NEW
products



All Components
Sold Separately

The KC05 and KC05-T are two kinematic mirror mounts designed for our 16 mm Cage Systems. Four Ø4 mm SR Series Cage Rods can be passed through the mount and locked into place using setscrews. Each kinematic mount features three 3/16"-100 fine adjustment screws with a 5/64" hex socket for adjustment. The KC05 can hold optics with a minimum thickness of 0.12" (3.0 mm) using an #8-32 nylon-tipped setscrew. The KC05-T contains our standard SM05 (Ø0.535"-40) threads to hold thin optics up to 0.15" (3.8 mm) thick. The KC05-T includes two SM05RR Retaining Rings for securing optics within the mount.

ITEM#	METRIC ITEM#	\$	£	€	RMB	DESCRIPTION
KC05	KC05/M	\$ 72.00	£ 50.00	€ 64.00	¥ 608.00	Kinematic Cage Mount, Bore for Ø1/2" Optics
KC05-T*	KC05-T/M	\$ 77.00	£ 53.40	€ 68.40	¥ 650.20	Kinematic Cage Mount, SM05 Threaded for Ø1/2" Optics
564HK	—	\$ 2.00	£ 1.40	€ 1.78	¥ 16.90	5/64" Hex Key, 10 Pack

**In an effort to reduce unwanted hardware, we are no longer packaging hex keys with this item. One 10-Pack of 5/64" hex keys is available at a nominal cost.

16 mm Cage Rotation Mount for Ø1/2" Optics

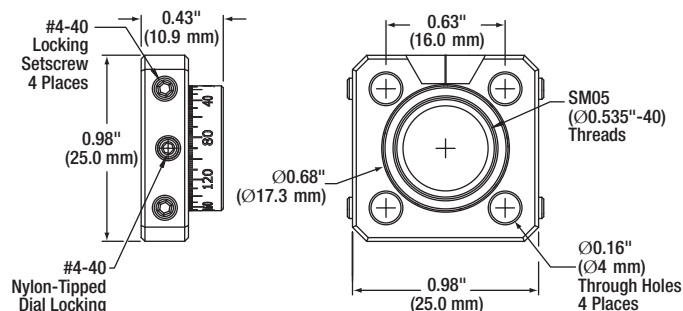
- 360° Continuous Rotation
- 2° Graduations Engraved on Dial
- Lockable Dial
- Directly Accepts Ø1/2" (Ø12.7 mm) Optics up to 0.23" (5.8 mm) Thick



SRM05

One SM05RR Retaining Ring Included

Please refer to our website for complete models and drawings.



The SRM05 is a continuously rotatable optic mount compatible with our 16 mm Cage System. It is ideal for mounting Ø1/2" (Ø12.7 mm) optics up to 0.23" (5.8 mm) thick in a 16 mm Cage System. For thicker optics, any SM05 (Ø0.535"-40) Series Lens Tubes (see page 118) can be threaded into the carriage. A clear aperture of 0.43" (10.9 mm) is achieved when using the included retaining ring.

ITEM#	\$	£	€	RMB	DESCRIPTION
SRM05	\$ 85.00	£ 59.00	€ 75.50	¥ 717.80	16 mm Cage Rotation Mount for Ø1/2" Optics

16 mm Cage System XY Translator



SCP05

One SM05RR Retaining Ring Included

- Provides ±1 mm of Travel in X and Y Axes
- Holds Ø1/2" (Ø12.7 mm) Optics
- SM05 (0.535"-40) Internal Thread
- 0.25 mm Per Revolution

Mechanical
Drawings Available on the
WEB

The SCP05 XY Translating Lens Mount features two M3 x 0.25 adjustment screws that provide ±1 mm of translation at 0.25 mm per revolution. The translation of a mounted optic is perpendicular to the center axis of the cage system. In addition, the movable carriage is threaded with Thorlabs' SM05 (Ø0.535"-40) series threads and directly accepts Ø1/2" (Ø12.7 mm) optics up to 0.24" (6.0 mm) thick.

ITEM#	\$	£	€	RMB	DESCRIPTION
SCP05	\$ 140.00	£ 97.10	€ 124.30	¥ 1,182.20	16 mm Cage System, XY Translator