

Motorized Filter Wheel with Shutter

Features

- 6-Position Ø1" (Ø25.4 mm) Filter Wheel with Built-in Beam Shutter
- 300 ms Typical Switching Speed Between Adjacent Ports
- 600 ms Typical Switching Speed Between Non-Adjacent Ports
- Repeatability of ±1°
- Dual-Position Shutter Control
- SM1-Threaded Shutter Ports
- 1/4"-20 (M6) and #8-32 (M4) Mounting Holes



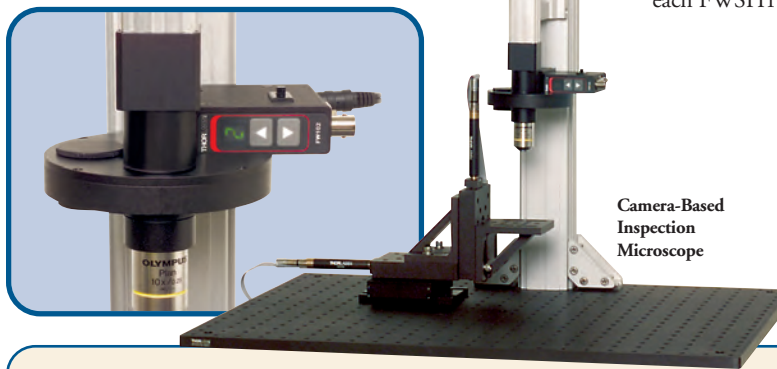
The FWSH102 Motorized Filter Wheel with Shutter is based on the popular design of the FW102B Filter Wheel featured on the next page and can accommodate up to six Ø1" (Ø25.4 mm) filters, each with a thickness up to 0.25" (6.35 mm). The lightweight design provides easy mounting to optomechanical components via two SM1-threaded (Ø1.035"-40) shutter ports. The unit also has 1/4"-20 (M6) and #8-32 (M4) holes for mounting it to an optical table or breadboard. The multiple mounting options make the FWSH102 ideal for both instrument and laboratory applications.

Filters are held in place with the six provided SM1RR Retaining Rings. Filter selection can be made manually from the push button controls on the display panel (see photo below) or remotely via either a USB2.0 interface or a TTL-level active low (BNC) input. The FWSH102 has an active display that indicates the selected

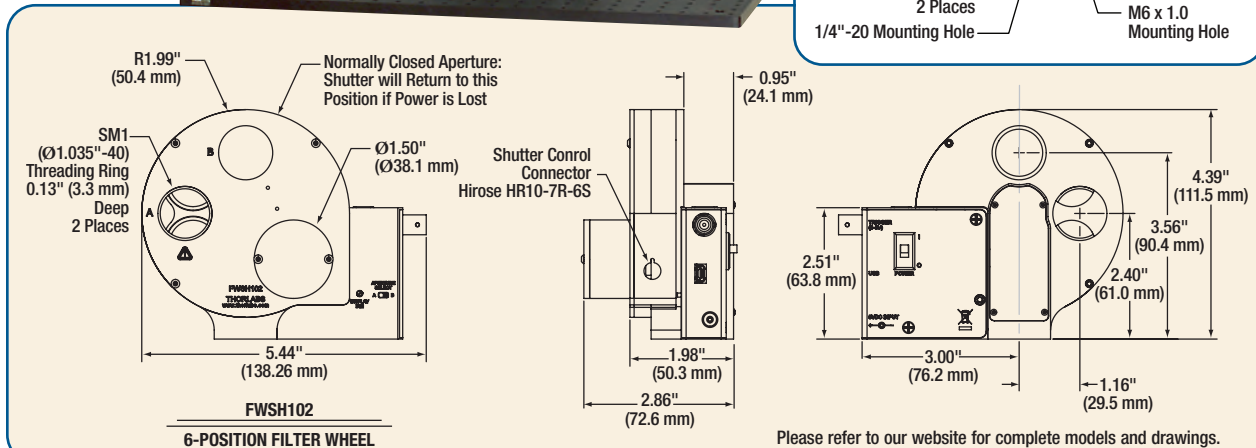
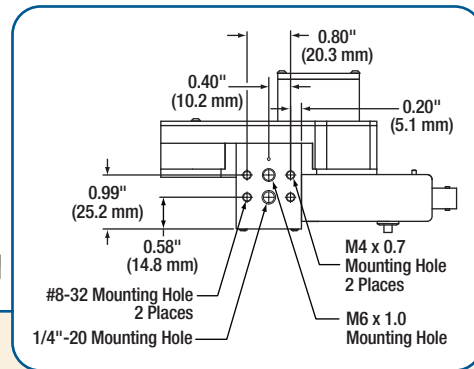
filter and two port openings, one at the top and another at 90° as shown in the above photograph. Filter switching rates between adjacent and nonadjacent positions is 300 ms and 600 ms, respectively. For faster switching speeds, please see our Motorized Fast-Change Filter Wheel featured on the previous page.

The FWSH102 filter wheel uses a rotary, electromechanical actuator to provide rapid shutter operation between two SM1-threaded (Ø1.035"-40) shutter ports. Adapters are also available to interface with other common camera and microscope thread sizes. (Please see the Adapters Section, starting on page 293).

The default shutter mode corresponds to the shutter labeled as "B" being closed and "A" as being open. The A/B switch on the side of the unit can be used to select the open aperture. The rate at which the shutter opens can be controlled using our SC10 Shutter Controller (see previous page) or the TSC001 T-Cube Solenoid Controller (see page 578). A 5 VDC power supply is included with each FWSH102 Motorized Filter Wheel.



Camera-Based Inspection Microscope



Please refer to our website for complete models and drawings.

NOTE: The SC10 Shutter Controller or TSC001 T-Cube Shutter Controller (page 578) is required to operate the FWSH102 Shutter.

ITEM#	\$	£	€	RMB	DESCRIPTION
FWSH102	\$ 1,485.00	£ 1,029.50	€ 1,318.50	¥ 12,540.00	Motorized Filter Wheel with Shutter for Ø1" (25 mm) Filters