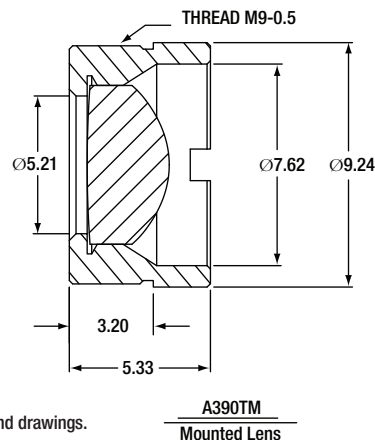
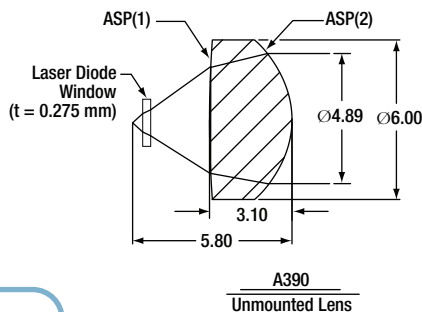


Please See Page 626 for AR Coating Curve

## A390 f = 4.60 mm and 0.53 NA



All Dimensions are in Millimeters  
Please refer to our website for complete models and drawings.

### Rochester Precision Molded Glass Aspheric Lens

#### Optical Design Specifications

- Design Wavelength: 655 nm
- Numerical Aperture: 0.53
- Clear Aperture: Ø4.89 mm
- Effective Focal Length: 4.60 mm
- Working Distance: 2.70 mm
- Laser Window Thickness: 0.275 mm
- Laser Window Material/Index: N-BK7/1.517
- Magnification: Infinite
- RMS WFE (Typical):\* 0.065 Waves
- Surface Quality: 40-20 Scratch-Dig
- Glass (CDGM): H-LAK54

\*Wavefront error is averaged over full aperture

### Aspheric Coefficients

	R	k	A <sub>4</sub>	A <sub>6</sub>	A <sub>8</sub>	A <sub>10</sub>
ASP (1)	-42.19	-	-	-	-	-
ASP (2)	3.50	-0.3366000	-8.4900000E-04	-4.7770000E-05	-4.9590000E-06	3.3740000E-09

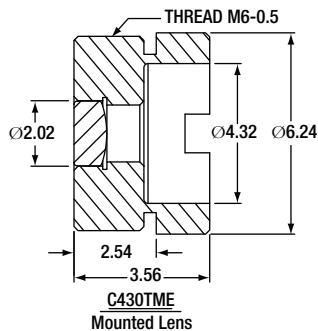
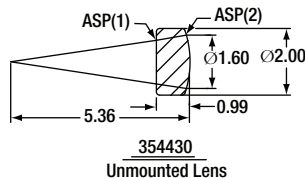
### Unmounted, AR-Coated Aspheric Lenses

ITEM#	\$	£	€	RMB	DESCRIPTION
A390-A	\$ 81.55	£ 56.60	€ 72,50	¥ 688.70	Lens, AR-Coated: 350 - 700 nm
A390-B	\$ 81.55	£ 56.60	€ 72,50	¥ 688.70	Lens, AR-Coated: 650 - 1050 nm
A390-C	\$ 81.55	£ 56.60	€ 72,50	¥ 688.70	Lens, AR-Coated: 1050 - 1620 nm

### Mounted, AR-Coated Aspheric Lenses

ITEM#	\$	£	€	RMB	DESCRIPTION
A390TM-A	\$ 86.55	£ 60.00	€ 76,90	¥ 730.90	Mounted Lens, AR-Coated: 350 - 700 nm
A390TM-B	\$ 86.55	£ 60.00	€ 76,90	¥ 730.90	Mounted Lens, AR-Coated: 650 - 1050 nm
A390TM-C	\$ 86.55	£ 60.00	€ 76,90	¥ 730.90	Mounted Lens, AR-Coated: 1050 - 1620 nm

## 354430 f = 5.00 mm and 0.15 NA



All Dimensions are in Millimeters  
Please refer to our website for complete models and drawings.

### Aspheric Coefficients

	R	k	A <sub>4</sub>	A <sub>6</sub>	A <sub>8</sub>	A <sub>10</sub>
ASP (1)	-	-	-	-	-	-
ASP (2)	2.84	-0.5766431	-	-	-	-

### Unmounted, AR-Coated Aspheric Lenses

ITEM#	\$	£	€	RMB	DESCRIPTION
354430-A	\$ 67.00	£ 46.50	€ 59,50	¥ 565.80	Lens, AR-Coated: 350 - 700 nm
354430-B	\$ 67.00	£ 46.50	€ 59,50	¥ 565.80	Lens, AR-Coated: 650 - 1050 nm
354430-C	\$ 67.00	£ 46.50	€ 59,50	¥ 565.80	Lens, AR-Coated: 1050 - 1620 nm

### Mounted, AR-Coated Aspheric Lenses

ITEM#	\$	£	€	RMB	DESCRIPTION
C430TME-A	\$ 72.00	£ 50.00	€ 64,00	¥ 608.00	Mounted Lens, AR-Coated: 350 - 700 nm
C430TME-B	\$ 72.00	£ 50.00	€ 64,00	¥ 608.00	Mounted Lens, AR-Coated: 650 - 1050 nm
C430TME-C	\$ 72.00	£ 50.00	€ 64,00	¥ 608.00	Mounted Lens, AR-Coated: 1050 - 1620 nm

### Geltech™ Molded Glass Aspheric Lens

#### Optical Design Specifications

- Design Wavelength: 1550 nm
- Numerical Aperture: 0.15
- Clear Aperture: Ø1.60 mm
- Effective Focal Length: 5.0 mm
- Magnification: Infinite
- Working Distance: 4.37 mm
- RMS WFE (Axial @ 632.8 nm):\* <Diffraction Limit
- Surface Quality: 40-20 Scratch-Dig
- Glass (Corning): D-ZK3

\*Wavefront error is averaged over full aperture  
Geltech™ lenses are manufactured by LightPath® Technologies