

Adjustable Aspheric FC Collimators

The new VeriFocus design for our adjustable aspheric lens collimators translates, without rotating, the aspheric lens along the optical axis. Each FC/PC or FC/APC collimator contains a spring loaded aspheric lens mounted in a cell. As the outer barrel of the collimator is rotated, the lens is translated along the optical axis. This mechanism, along with tight tolerances, minimizes deviations in the beam propagation direction as the user adjusts the distance between the lens and the tip of the fiber.

All of the CFC series adjustable FC collimators have an outside package diameter of 9.5 mm. The AD9.5F mounting adapter allows the collimator to be mounted in SM1 threaded mounts or lens tubes.

NEW
design

- Diffraction Limited Performance
- Ø9.5 mm Fixed Housing*
- AR Coated Aspheric Lenses**
- Stainless Steel Construction
- FC/PC and FC/APC
- Collimate or Couple Light
- Locking Setscrew

*The Adjustment Barrel has a Larger Diameter
** See Page 626 for the Coating Curves

Adjustable FC Collimator Mount

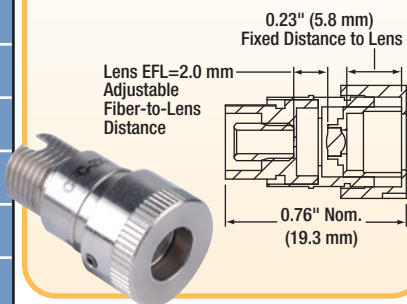


External SM1 Threading

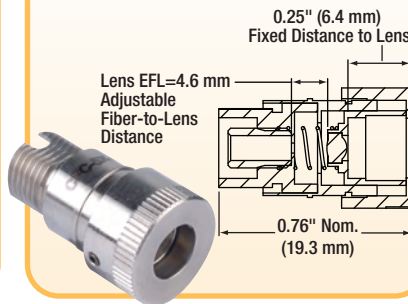
See Page 305

AD9.5F

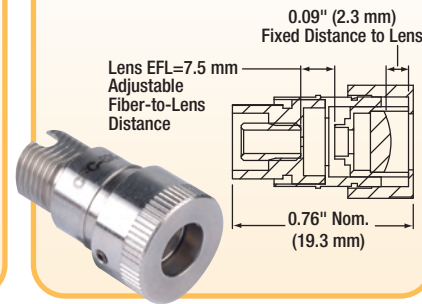
Aspheric Collimator 2.0 mm EFL



Aspheric Collimator 4.6 mm EFL

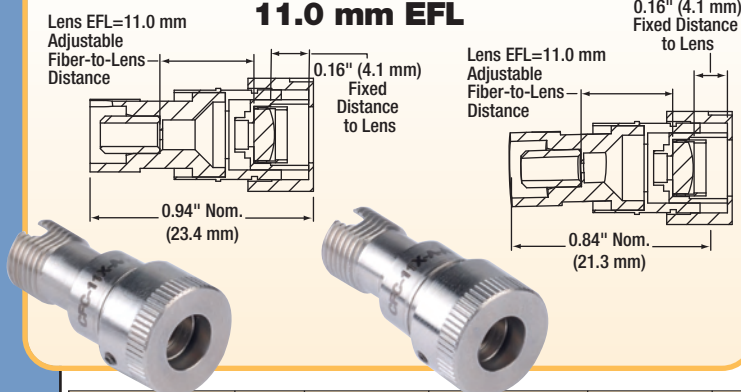


Aspheric Collimator 7.5 mm EFL



Please refer to our website for complete models and drawings.

Aspheric Collimators 11.0 mm EFL



ITEM#	\$	£	€	RMB
CFC-2X-A	\$ 225.00	£ 156.00	€ 199.80	¥ 1,900.00
CFC-2X-B	\$ 225.00	£ 156.00	€ 199.80	¥ 1,900.00
CFC-2X-C	\$ 225.00	£ 156.00	€ 199.80	¥ 1,900.00
CFC-5X-A	\$ 225.00	£ 156.00	€ 199.80	¥ 1,900.00
CFC-5X-B	\$ 225.00	£ 156.00	€ 199.80	¥ 1,900.00
CFC-5X-C	\$ 225.00	£ 156.00	€ 199.80	¥ 1,900.00
CFC-8X-A	\$ 225.00	£ 156.00	€ 199.80	¥ 1,900.00
CFC-8X-B	\$ 225.00	£ 156.00	€ 199.80	¥ 1,900.00
CFC-8X-C	\$ 225.00	£ 156.00	€ 199.80	¥ 1,900.00
CFC-11X-A	\$ 240.00	£ 166.40	€ 213.10	¥ 2,026.60
CFC-11X-B	\$ 240.00	£ 166.40	€ 213.10	¥ 2,026.60
CFC-11X-C	\$ 240.00	£ 166.40	€ 213.10	¥ 2,026.60
CFC-11X-A-APC	\$ 290.00	£ 201.10	€ 257.50	¥ 2,448.80
CFC-11X-B-APC	\$ 290.00	£ 201.10	€ 257.50	¥ 2,448.80
CFC-11X-C-APC	\$ 290.00	£ 201.10	€ 257.50	¥ 2,448.80

ITEM#	EFL (mm)	INPUT MFD ^a (µm)	OUTPUT WAIST DIA. (mm)	MAX WAIST ^b DIST. (mm)	DIVERGENCE (mrad)	LENS CHARACTERISTICS			CONNECTOR
						CA ^c (mm)	NA	AR λ (nm) ^d	
CFC-2X-A	2.0	3.5	0.33	96	1.75	2.0	0.50	350 - 700	FC/PC or APC
CFC-2X-B	2.0	4.3	0.38	89	2.15	2.0	0.50	650 - 1050	FC/PC or APC
CFC-2X-C	2.0	10.4	0.38	38	5.20	2.0	0.50	1050 - 1620	FC/PC or APC
CFC-5X-A	4.6	3.5	0.75	500	0.76	4.9	0.53	350 - 700	FC/PC or APC
CFC-5X-B	4.6	4.3	0.86	467	0.93	4.9	0.53	650 - 1050	FC/PC or APC
CFC-5X-C	4.6	10.4	0.87	200	2.26	4.9	0.53	1050 - 1620	FC/PC or APC
CFC-8X-A	7.5	3.5	1.2	1300	0.47	4.4	0.29	350 - 700	FC/PC or APC
CFC-8X-B	7.5	4.3	1.4	1200	0.57	4.4	0.29	650 - 1050	FC/PC or APC
CFC-8X-C	7.5	10.4	1.4	500	1.39	4.4	0.29	1050 - 1620	FC/PC or APC
CFC-11X-A	11.0	3.5	1.8	2800	0.32	4.4	0.20	350 - 700	FC/PC
CFC-11X-B	11.0	4.3	2.1	2700	0.39	4.4	0.20	650 - 1050	FC/PC
CFC-11X-C	11.0	10.4	2.1	1100	0.95	4.4	0.20	1050 - 1620	FC/PC
CFC-11X-A-APC	11.0	3.5	1.8	2800	0.32	4.4	0.20	350 - 700	FC/APC
CFC-11X-B-APC	11.0	4.3	2.1	2700	0.39	4.4	0.20	650 - 1050	FC/APC
CFC-11X-C-APC	11.0	10.4	2.1	1100	0.95	4.4	0.20	1050 - 1620	FC/APC

^a Mode Field Diameter

^b Maximum distance that the beam waist can be from the lens while still remaining collimated

^c Clear Aperture

^d Wavelength of the Antireflection Coating