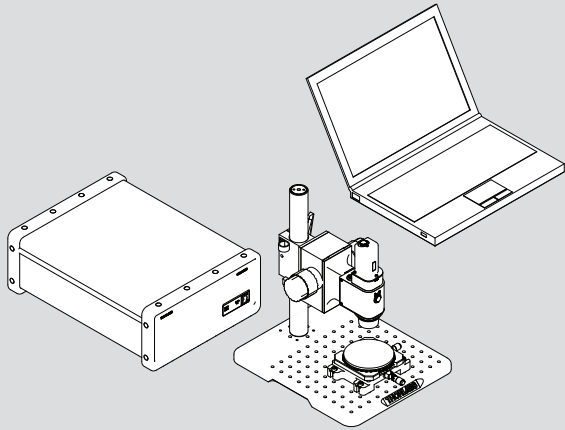


# Callisto Series OCT Systems

CALLISTO SERIES PRECONFIGURED SYSTEM	
ITEM #	CAL110C1
Base Unit	CAL110
Center Wavelength	930 nm
Scanning System	OCTG-900 (Standard Scanner)
Scan Lens Kit	OCT-LK3-BB
Reference Length Adapter	OCT-RA3
Accessories	OCT-STAND(/M) and OCT-XYR1(/M)



**CAL110C1**  
The CAL110C1 configuration consists of the CAL110 high-sensitivity 930 nm base unit, standard scanner, general-purpose scan lens kit, reference length adapter, stand, and stage.

CALLISTO SERIES OCT BASE UNIT SPECIFICATIONS	
ITEM #	CAL110
Center Wavelength	930 nm
Imaging Depth (Air/Water)	1.7 mm / 1.3 mm
Axial/Depth Resolution (Air/Water)	7.0 $\mu\text{m}$ / 5.3 $\mu\text{m}$
A-Scan/Line Rate	1.2 kHz
Sensitivity*	107 dB
Base Unit Dimensions	420 mm x 320 mm x 149 mm

\*Typical Values Measured Using a Common Path Probe with 50% Beamsplitter

