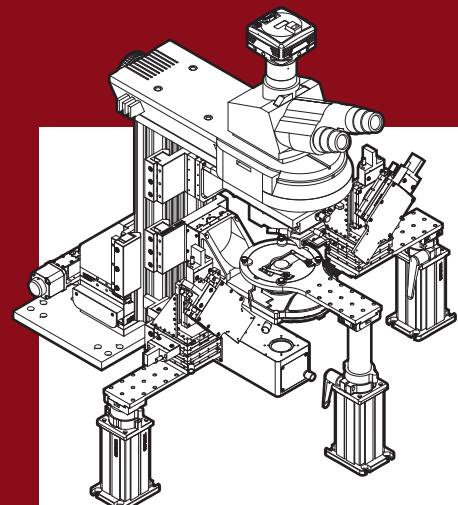
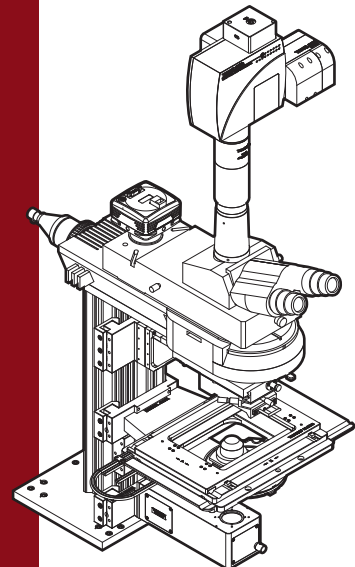


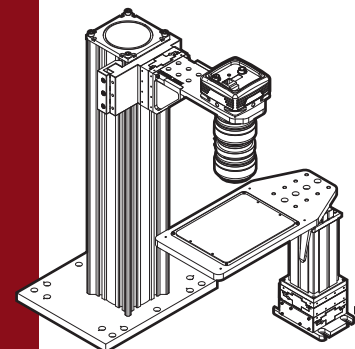
# Cerna Series Microscopy Platform



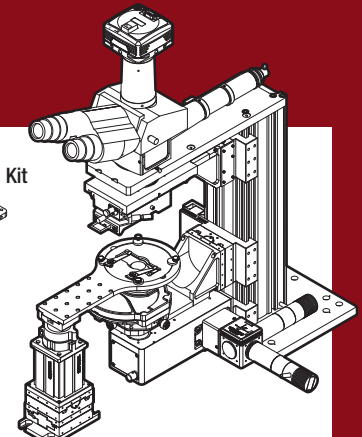
**Cerna Rig CRE1003**  
This configuration is designed for electrophysiology experiments and includes rigid stands for micromanipulators.



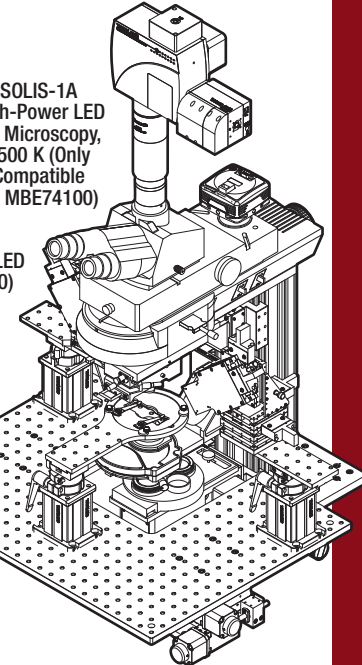
**Cerna Rig CRC1002**  
This confocal microscope uses a Nikon dual camera port and fast XY Scanning stage.



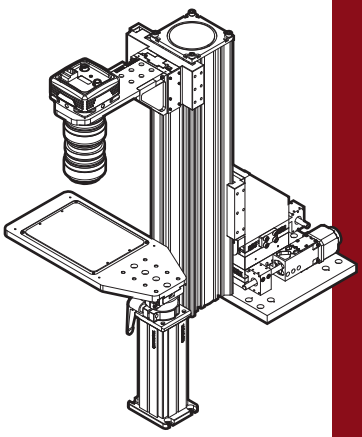
**Cerna Rig CRF1001**  
The CSB1500F 500 mm Tall Microscope Body is designed to support setups for intrinsic signal imaging.



**Cerna Rig CRW1003**  
This widefield imaging microscope includes a module for Ddot contrast imaging.



**Cerna Rig CRE1005**  
With a platform for micromanipulators and double camera port, this microscope combines confocal and electrophysiology capabilities on an upright Cerna microscope.



**Cerna Rig CRF1002**  
This intrinsic imaging rig uses microscope movers to translate the field of view over a stationary sample.

