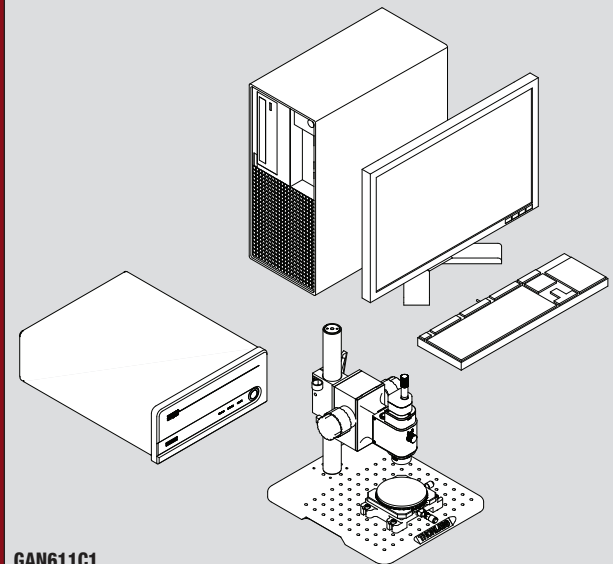


Ganymede Series OCT Systems

GANYMEDE SERIES PRECONFIGURED SYSTEMS		
ITEM #	GAN611C1	GAN621C1
Base Unit	GAN611	GAN621
Center Wavelength	930 nm	900 nm
Scanning System	OCTG9 (Standard Scanner)	
Scan Lens Kit	OCT-LK3-BB	OCT-LK2-BB
Reference Length Adapter	OCT-RA3	OCT-RA2
Accessories	OCT-STAND(/M) and OCT-XYR1(/M)	



GAN611C1
The GAN611C1 configuration consists of a GAN611 high-resolution and high-sensitivity 930 nm base unit, standard scanner, general-purpose scan lens kit, reference length adapter, stand, and stage.

GANYMEDE SERIES OCT BASE UNIT SPECIFICATIONS		
ITEM #	GAN611	GAN621
Center Wavelength	930 nm	900 nm
Imaging Depth (Air/Water)	2.9 mm / 2.2 mm	1.9 mm / 1.4 mm
Axial/Depth Resolution (Air/Water)	5.5 μ m / 4.1 μ m	3.0 μ m / 2.2 μ m
A-Scan/Line Rate	5 kHz to 248 kHz	
Sensitivity*	102 dB (at 5 kHz)	
Base Unit Dimensions	411.8 mm x 325.0 mm x 143.0 mm	

*Typical Values Measured Using a Common Path Probe with 50% Beamsplitter

