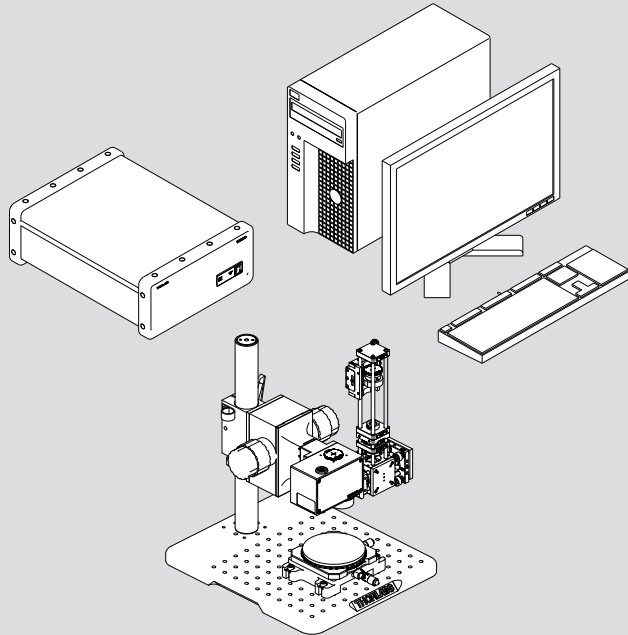
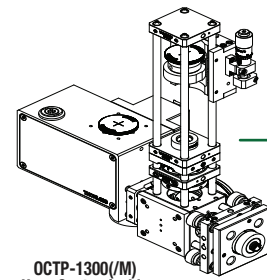


Telesto Series PS-OCT Systems

TELESTO SERIES PRECONFIGURED SYSTEMS		
ITEM #	TEL210PSC2	TEL220PSC2
Base Unit	TEL210PS	TEL220PS
Center Wavelength	1325 nm	1300 nm
Scanning System	OCTP-1300PS	
Scan Lens Kit	OCT-LK3	
Accessories	OCT-STAND(/M) and OCT-XYR1(/M)	

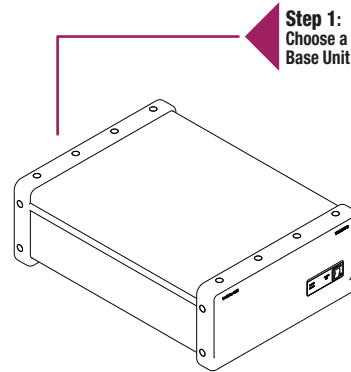


TEL220PSC2
The TEL220PSC2 configuration consists of a TEL220PS high-resolution 1300 nm base unit, user-customizable scanner, general-purpose scan lens kit, stand, and stage.

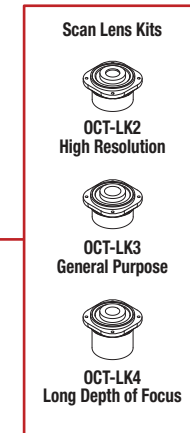


OCTP-1300(M)
User-Customizable
Scanner

Step 2:
Choose a
Scanning System



Step 1:
Choose a
Base Unit



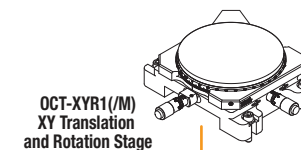
Step 3:
Choose a
Scan Lens Kit

Step 4:
Choose a Z-Spacer
(Optional)

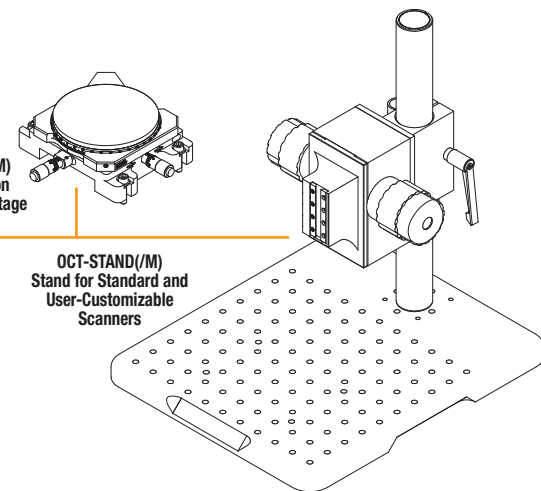
User-Customizable
Scanners



Step 5:
Choose Accessories
(Optional)



OCT-XYR1(M)
XY Translation
and Rotation Stage



OCT-STAND(M)
Stand for Standard and
User-Customizable
Scanners

Available Base Units:

- TEL210PS
High-Depth Imaging
- TEL220PS
High-Resolution Imaging

TELESTO SERIES PS-OCT BASE UNIT SPECIFICATIONS		
ITEM #	TEL210PS	TEL220PS
Center Wavelength	1325 nm	1300 nm
Imaging Depth (Air/Water)	7.0 mm / 5.3 mm	3.5 mm / 2.6 mm
Axial/Depth Resolution (Air/Water)	12 μ m / 9.0 μ m	5.5 μ m / 4.2 μ m
A-Scan/Line Rate	5.5 kHz to 76 kHz	5.5 kHz to 76 kHz
Sensitivity*	109 dB (at 5.5 kHz)	109 dB (at 5.5 kHz)
Base Unit Dimensions	420 mm x 320 mm x 149 mm	

*Typical Values Measured Using a Common Path Probe with 50% Beamsplitter